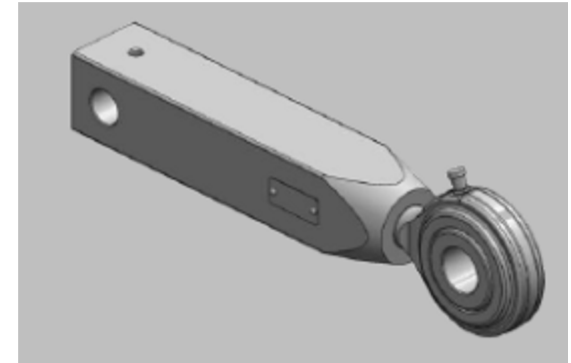



6702223



6702565

| | | | | | |
|---|----------|-----------|-------------|--|---|
| MATERIAL: | | | FINISH: | |  Cutting Edge Technology GreenTec A/S Merkurvej 25 DK-6000 Kolding |
| WEIGHT: | | | SURFACE: | | |
| UNLESS OTHERWISE SPECIFIED: TOLERANCE: DS/ISO 2768M DIMENSIONS: MILLIMETERS | | | DESIGN BY: | DESIGN DATE: | |
| REV. | DATE | SIGNATURE | DESCRIPTION | PART DESCRIPTION: 4-Punkt-Mont, mellem kat. 2 | |
| 1 | 08-12-21 | LU | | CASE: SC 6-8 øverst, Topst. mellem | DWG SIZE A4 |
| | | | | DWG NO. OPTE1161.11 | REV |
| | | | | | |
| | | | | | |