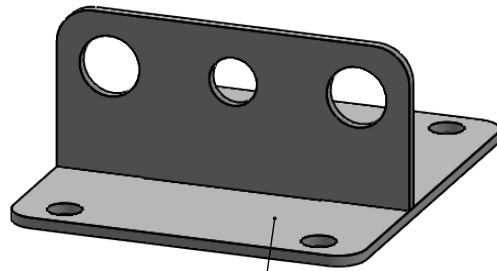
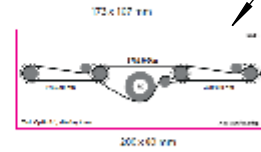
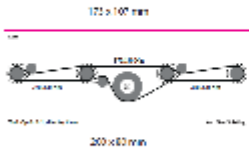
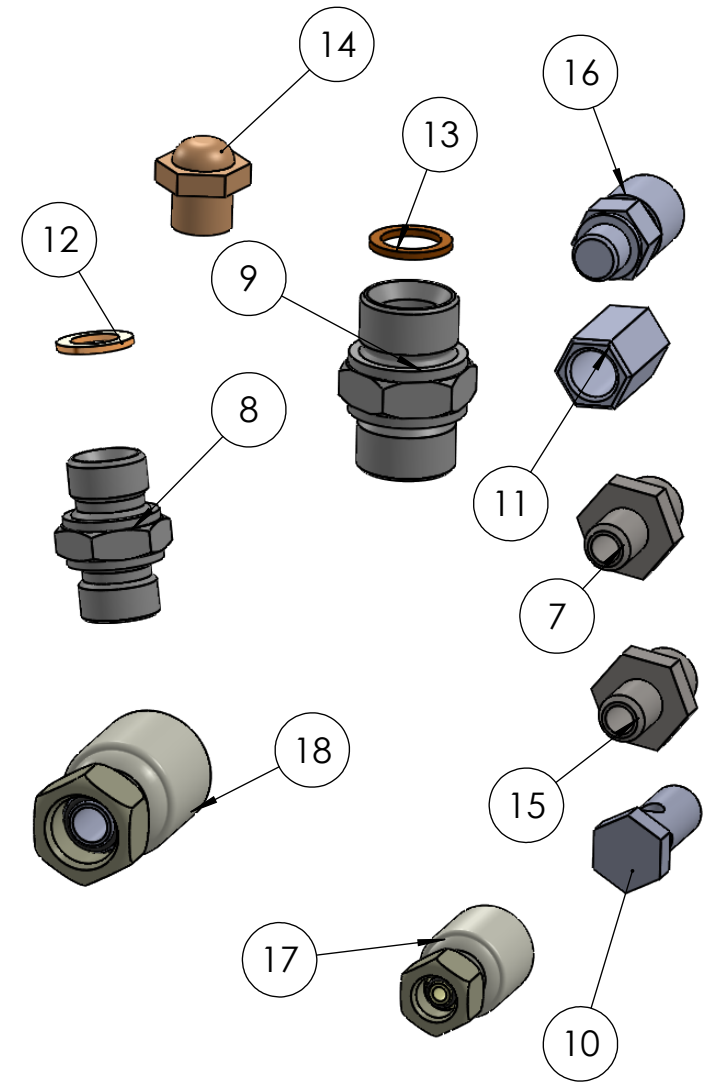
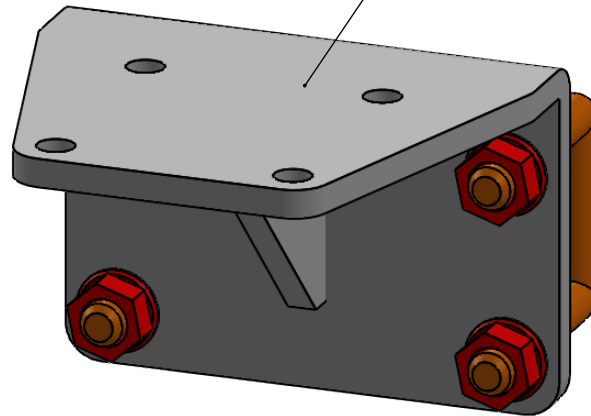




5



1



ITEM NO.	PART NUMBER	DESCRIPTION	QTY.
1	140171.0	Adapter	1
NS	CM2T06	Hyd. slange	1.49
NS	CM2T04	Hyd. slange	0.77
NS	6703027	Slangebesk.	0.5
5	LRS1402Kits	Skiltekit	1
7	32BP06	Lige skot	2
8	6703023	Nippel	2
9	F4PB8-1/4	Drænnippel	1
10	8143003	Banjobolt	1
11	6703008	Muffe	1
12	8143005	Pakning	3
13	6703010	Pakning	2
14	P38	Gevindhætte	2
15	8283015	Lige skot	1
16	G0414ML	Preskobling	1
17	G0404NU	Preskobling	1
18	G0606NU	Preskobling	1

MATERIAL: Se part tegning			FINISH:	
WEIGHT: 2.37 Kilo			SURFACE:	
UNLESS OTHERWISE SPECIFIED: DS/ISO 2768M MILLIMETERS			DESIGN BY:	DESIGN DATE:
REV.	DATE	SIGNATURE	DESCRIPTION	
1	13-06-17	LU		

Green_Tec A/S Merkurvej 25 DK-6000 Kolding	
PART DESCRIPTION: Adaptersæt	
CASE: Twiga 120/swingtrim	A4
DWG NO. OPT314	