

FLAIL MOWER

FR 122 B



PARTS

UK

1st Edition 2020

 **GREENTEC**

Cutting Edge Technology

IMPORTANT INFORMATION**GreenTec****FR 122B****PARTS****1. Edition – 2020**

NOTICE: Please ensure that this manual is handed to the operator before using the machine for the first time. If the machine is resold, the Parts list must be given to the new owner!

The information contained in this Parts list is correct at the time of publication. However, in the course of constant development, changes in specification are inevitable. Should you find the information given in this book different to the machine it relates to please contact the “After Sales Department” for advice.



Merkurvej 25
DK 6000 Kolding
Denmark
Tel: +45 75553644
E-mail: info@greentec.eu
web: www.greentec.eu

CONTENTS

Indhold

Introduction	4
Useful information	5
Ordering parts	6
Spare Parts	7
FR122B	7
FR122B Rotor (ADGT1096)	9
FR122B Rotor from 2023 (ADGT1096new)	11
FR122B Rotor latches.....	13
FR122B Roller (ADGT1097)	14
FR122B Belt drive 35cc/45cc pistonmotor (ADGT1093)	15
FR122B Belt drive 30.5cc gearmotor (ADGT1093)	16
Stickers	17

Introduction

Dear customer!

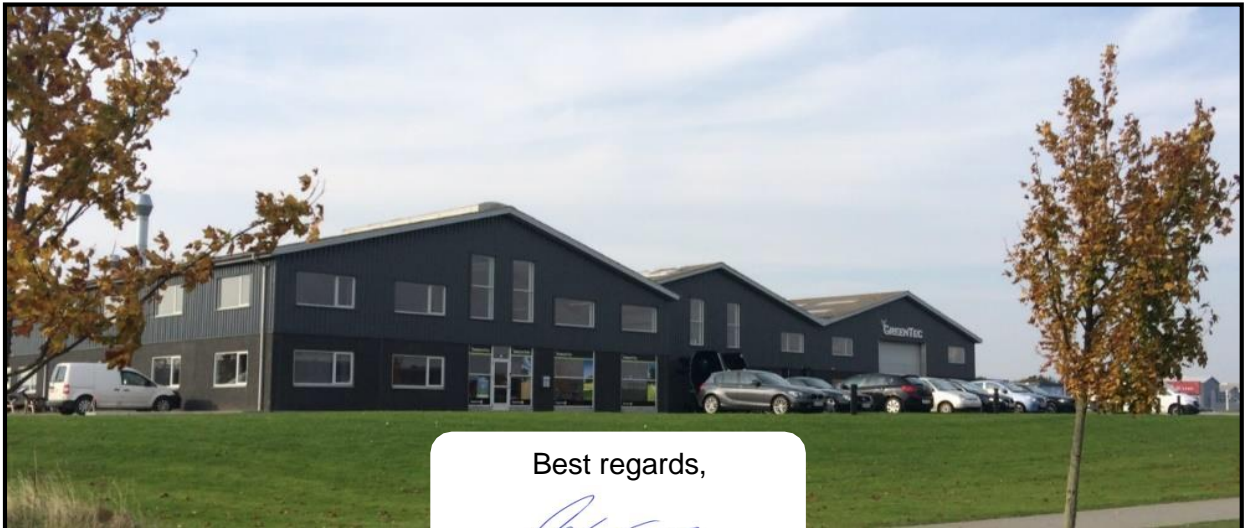
Your new GreenTec machine is constructed with background in more than 20 years' experience with tractor-mounted machines to maintenance of green areas. This machine is produced by the latest technology and recognized safety regulations, standards and regulations.

We want to make a product available in such a way, that neither the use of the machine during transportation or maintenance of the machine causes any damage or misunderstandings.

This parts list contains information that are important and useful for maintaining your GreenTec machine's reliability, dependability and value.

You are welcome to visit our website www.greentec.eu - where the login via the dealer's access gives you the latest updates on instructional and part books on our entire product range.

We hope you will be pleased with your new GreenTec machine.



Best regards,

A handwritten signature in blue ink, appearing to read "John Christensen".

John Christensen
Sales Director GreenTec A/S

GreenTec's vision is to develop and sell quality machines for the maintenance of green areas, including in agriculture, in industry, at airports and in the local sector. Through innovative product development, we will strive to become a leader in our field.

All machines are developed in a simple and functional design in close cooperation with dealers and end users. It is our goal to cover every need in the market segment with preferably two different solutions. In-depth analysis of requirements and serious advice to the customer is offered the best solution, where individual needs can be met through the modularity of the product program.

Our goal is also to offer the best possible after sales service, and a quick and efficient spare parts supply.

Useful information

Before using the machine for the first time, it's the seller's responsibility that the buyer is given this parts list. If the machine is resold, the parts list must be transferred to the new owner.

Please fill out the list below to ensure that the necessary information is at hand when ordering spare parts etc.

Serial No

Delivery date

Dealer

Tel. / E-mail



Merkurvej 25
DK 6000 Kolding
Denmark
Tel: +45 75553644
E-mail: info@greentec.eu
web: www.greentec.eu
Opening hours: Mon-Fri 8-16

Ordering parts

When ordering parts please refer to your parts list to help your dealer with your order.

- **Part number and quantity**
- **Description**
- **Machine model number**
- **Serial number of the machine**
- **Delivery instructions (e.g. next day).**

Delivery is normally via carrier direct to your dealer. Please check with your dealer for stock availability and arrangement of dispatch. Ensure you or your dealer has sufficient cover for parts requirement outside factory hours.

Important Note:

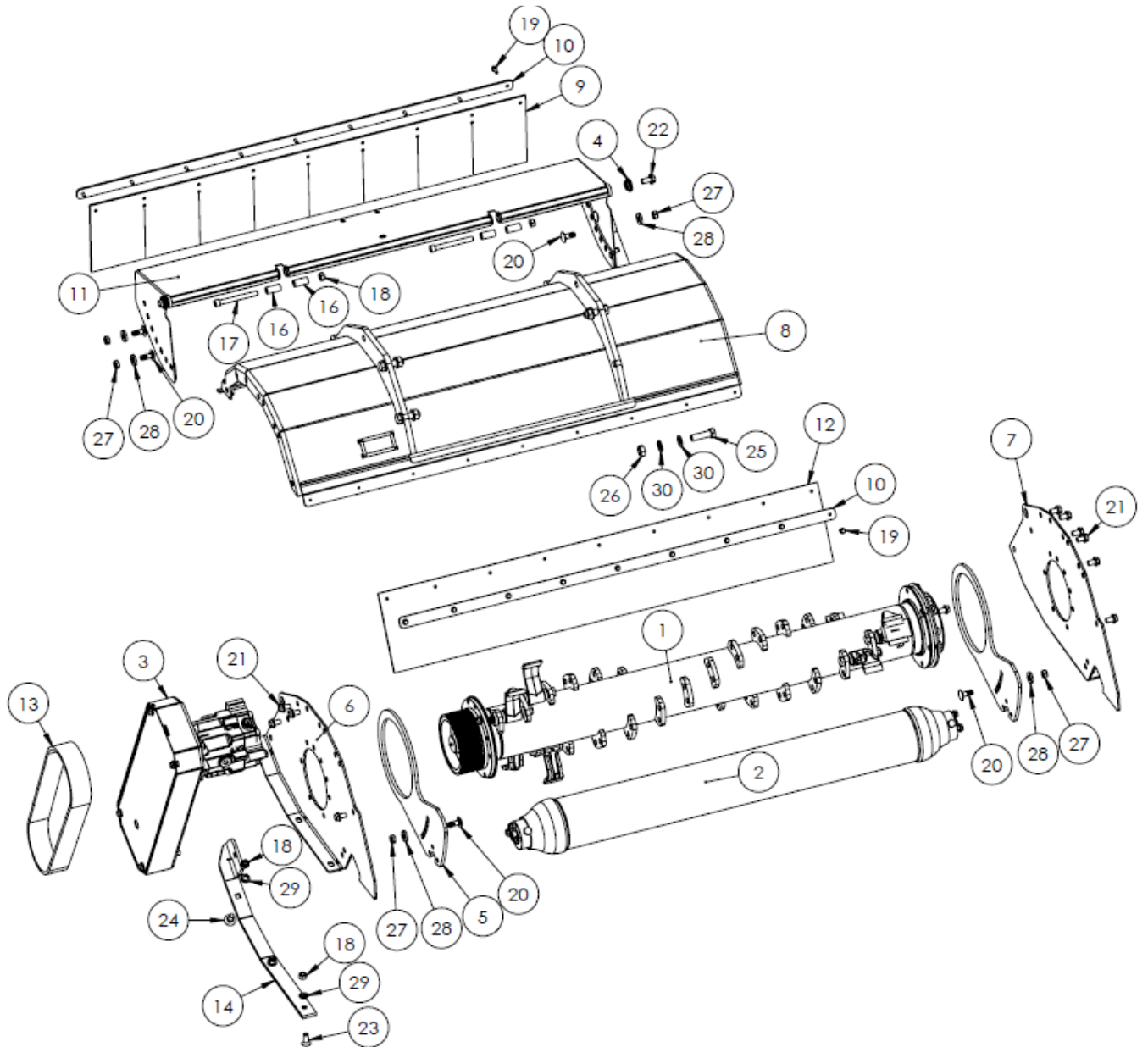
The information contained in this manual is correct at the time of publication. However, in the course of constant development, changes in specification are inevitable. Should you find the information given in this book different to the machine it relates to, please contact the "After Sales Department" for advice.

Key:

LH: Left hand
RH: Right hand

Spare Parts

FR122B



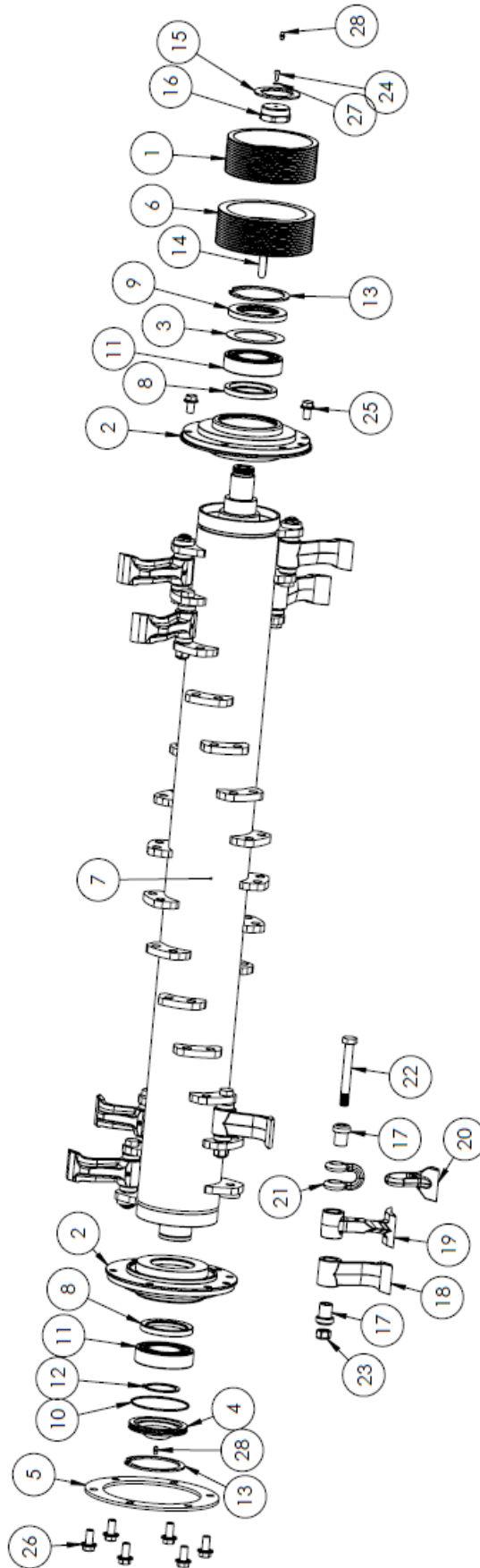
Old skid



FR 122

ITEM NO.	PART NUMBER	DESCRIPTION	QTY.
1	ADGT1096	See Rotor FR122	1
2	ADGT1097	See Roller FR122	1
3	ADGT1093	See Belt drive FR122	1
4	9030008	Bushing	2
5	9030061	Bracket for rear roller	2
6	9030062	Sideplate R	1
7	9030062V	Sideplate L	1
8	9030092	Rotor cover	1
9	9030096	Protection front	1
10	9030095	Retaining strip	2
11	9030094	Frontcover new (compatible) remember pos. 12 & 13	1
12	9030097	Protection back	1
13	9030078	Belt	1
	9030073	Skid until serial nbr. 222302076	2
14	9030125L	Skid	1
15	9030125R	Skid	1
16	6703037	Bushing f/cover	4
17	6703038	Bolt	2
18	8362005	Nut	8
19	9040203	Bolt	18
20	8481009	Specialbolt	6
21	6702617	Bolt	12
22	6702618	Bolt	2
23	9040223	Bolt	4
24	9040224	Bolt	2
25	8222016	Bolt	4
26	81822001	Nut	4
27	8482008	Nut	6
28	8222011	HD washer	6
29	6701641	Washer	6
30	6701548	Washer	8

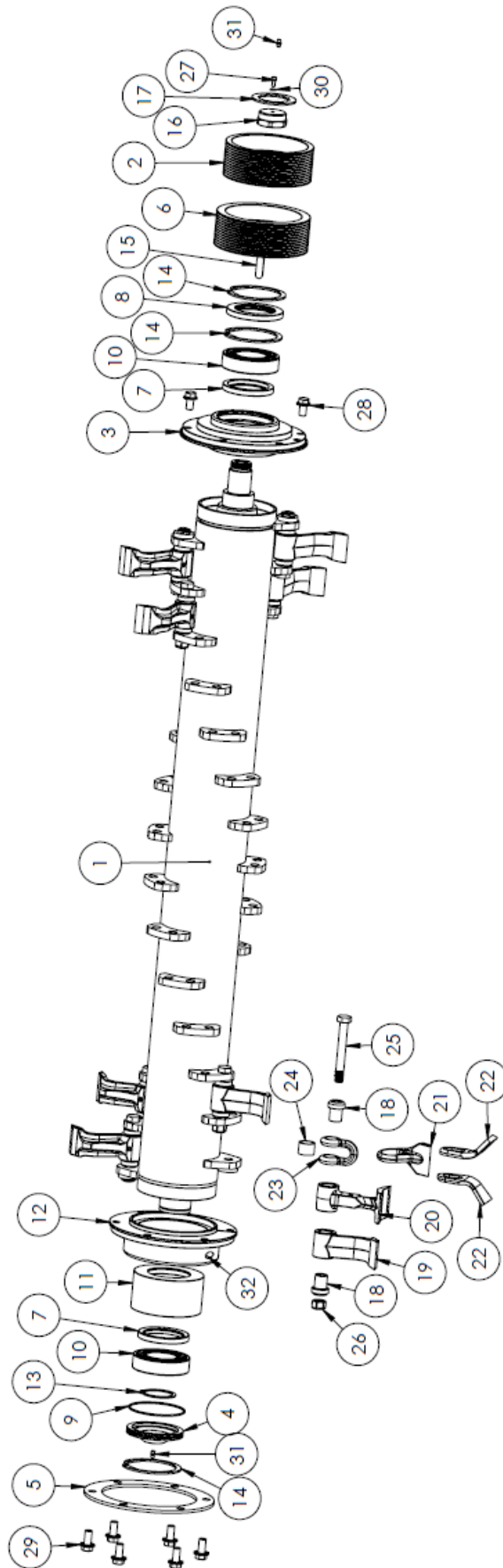
FR122B Rotor (ADGT1096)



FR122B rotor

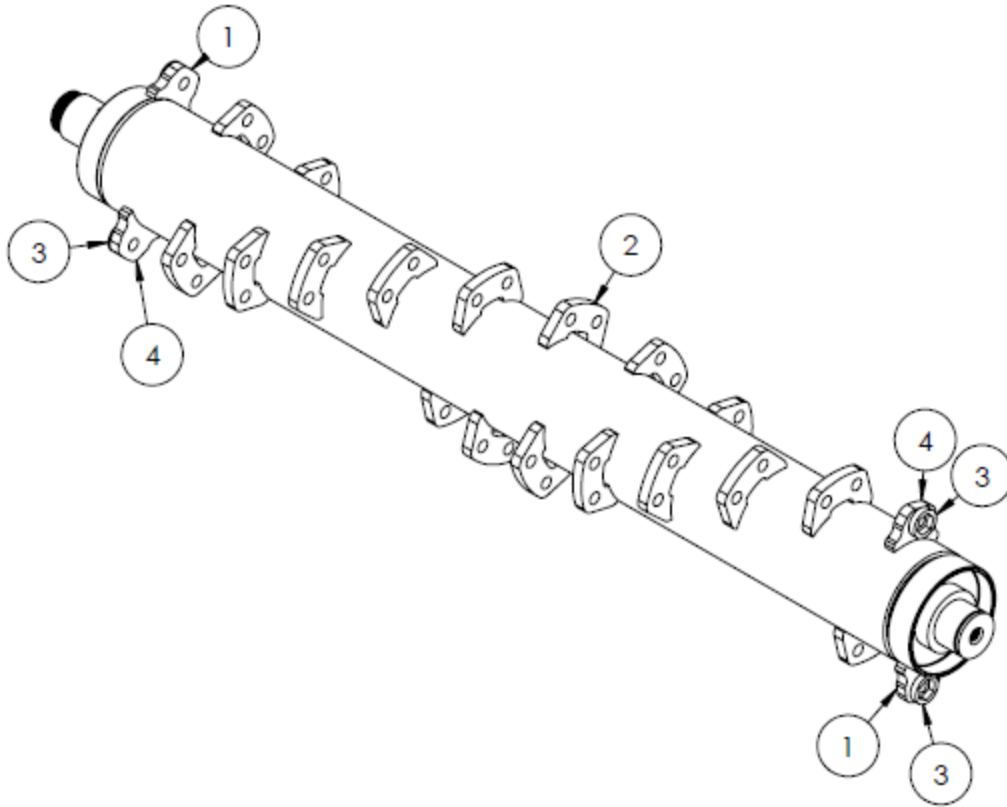
ITEM NO.	PART NUMBER	DESCRIPTION	
1	9030052	Pully f/ motor 9030064	1
2	9030053	Drive house R/L	2
3	9030054	Support ring	1
4	9030056	End cover	1
5	9030057	Support ring	1
6	9030071	Pully f/motor 9030065	1
7	9030091	Rotor with "C" flails	1
7a	9030091A	Rotor with "T" flails	1
7b	9030091B	Rotor with boot flails	1
8	9030098	Rubber seal	2
9	9030099	Rubber seal	1
10	9030100	O-ring	1
11	9030101	Bearing	2
12	9040228	Circlip	1
13	9040225	Circlip	2
14	8634005	Key	1
15	8630008	Lock plate	1
16	8630009	Nut	1
17	9030051	Flail bush	56
18	9040152	Flail "C"	28
19	9040153	Flail "T"	28
20	9040154	Flail "L"	28
21	9040155	Shackle	28
22	9040170	Flail bolt	28
23	9040172	Flail nut	28
24	8222033	Bolt	1
25	6702617	Bolt	2
26	6702618	Bolt	6
27	8632005	Washer	1
28	8222027	Grease nipple	2
NS	6702292	Flail "Y"	56
NS	6702854	Protection bush	28

FR122B Rotor from 2023 (ADGT1096new)



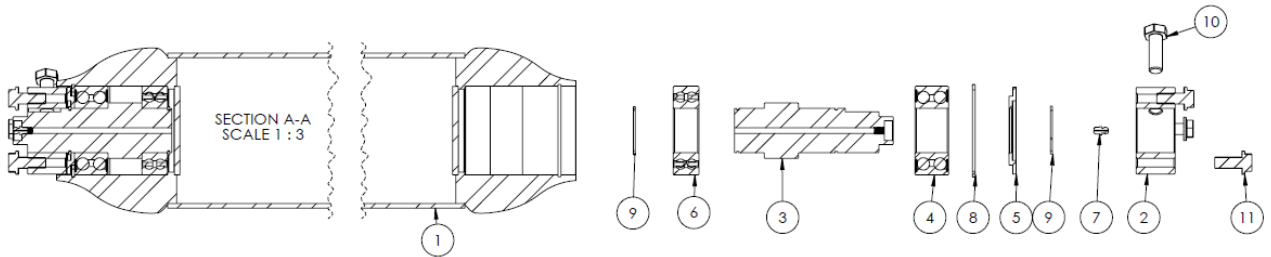
ITEM NO.	PART NUMBER	DESCRIPTION	
1	9030091	Rotor with "C" flails	1
1a	9030091A	Rotor with "T" flails	1
1b	9030091B	Rotor with "L" flails	1
1c	9030091C	Rotor with "Y" flails	1
2	9030052	Pully f/ motor 9030064	1
3	9030053	Drive house R/L	1
4	9030056	End cover	1
5	9030057	Support ring	1
6	9030071	Pully f/motor 9030065	1
7	9030098	Rubber seal	2
8	9030099	Rubber seal	1
9	9030100	O-ring	1
10	9030101	Bearing	2
11	6702825	Inner drive house	1
12	6702824	Drive house	1
13	9040228	Circlip	1
14	9040225	Circlip	3
15	6702702	Key	1
16	8630009	Nut	1
17	8630008	Lock plate	1
18	9030051	Flail bush	56
19	9040152	Flail "C"	28
20	9040153	Flail "T"	28
21	9040154	Flail "L"	28
22	6702292	Flail "Y"	56
23	9040155	Shackle	28
24	6702854	Protection bush	28
25	9040170	Flail bolt	28
26	9040172	Flail nut	28
27	8222033	Bolt	1
28	6702617	Bolt	2
29	6702618	Bolt	6
30	8632005	Washer	1
31	8222027	Greasenipple	2
32	6702827	Bolt	1

FR122B Rotor latches



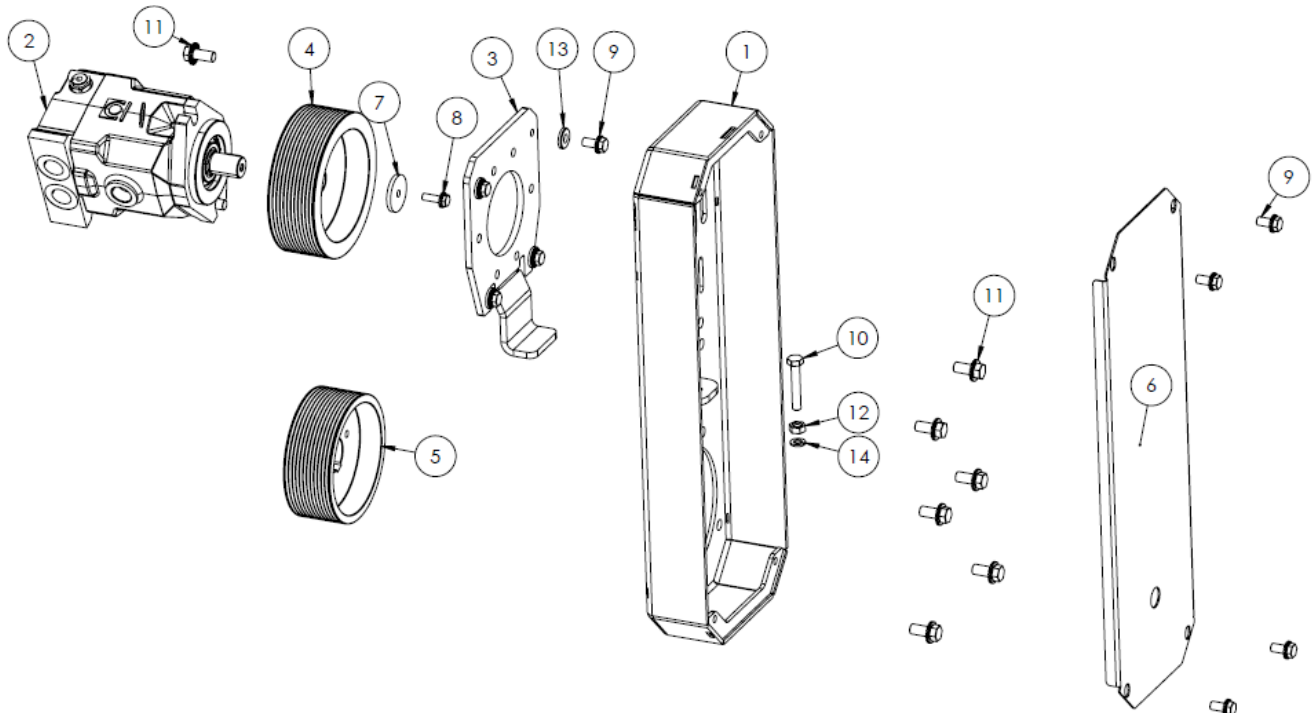
ITEM NO.	PART NUMBER	DESCRIPTION	QTY.
1	9030050.3	Latch	2
2	9030090.2	Latch	28
3	9030050.6	Nut holder	4
4	9030090.3	Latch	2

FR122B Roller (ADGT1097)



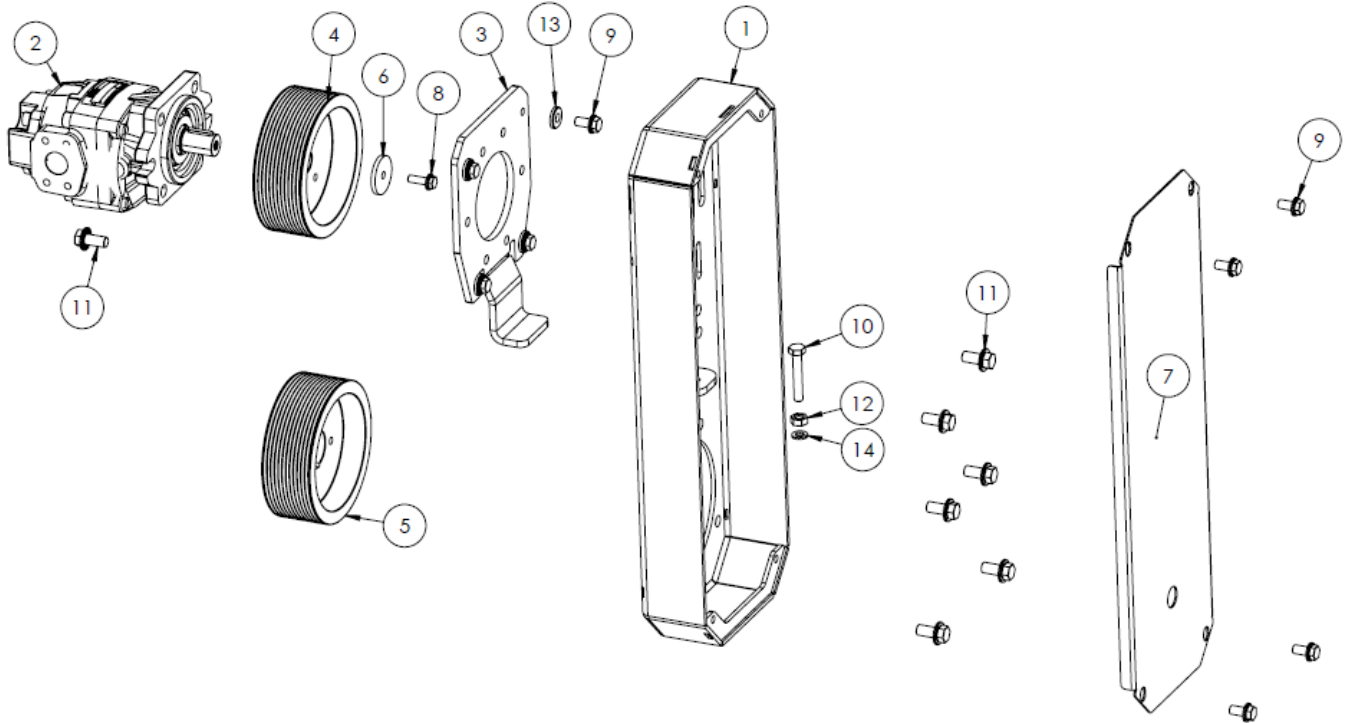
ITEM NO.	PART NUMBER	DESCRIPTION	Qty
1	9030093	Rear roller	1
2	9030059	Lock bush	2
3	9030060	Shaft	2
4	9030121	Bearing	2
5	9030122	Cover ring	2
6	9030123	Bearing	2
7	8222027	Greasennipple	2
8	240119.0	Circlip	2
9	9040229	Circlip	4
10	9040192	Bolt	2
11	6702694	Bolt	6
	ADGT1097	Rear roller cpl.	1

FR122B Belt drive 35cc/45cc pistonmotor (ADGT1093)



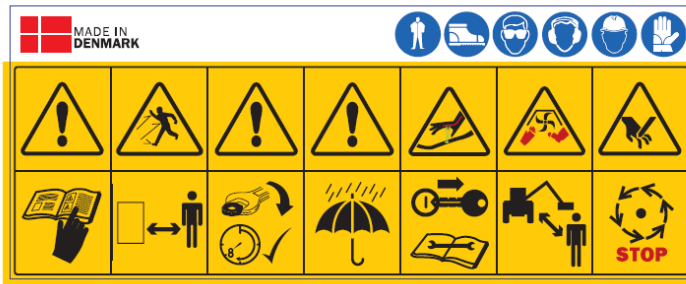
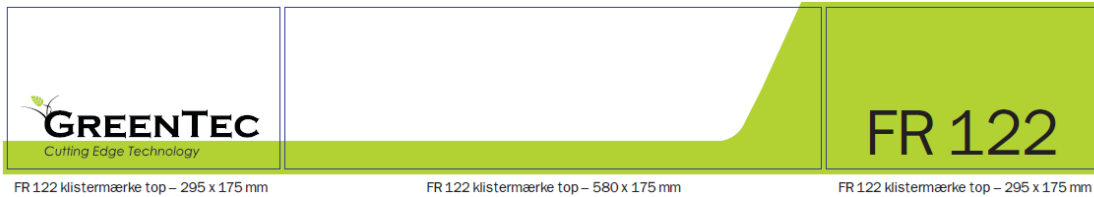
ITEM NO.	PART NUMBER	DESCRIPTION	QTY.
1	9030063	Belt guard housing	1
2	9030064	Pistonmotor 35cc	1
NS	8823001.3	Sealkit f/9030064	
2a	6701857	Pistonmotor 45cc	1
3	9030066	Motorplate	1
4	9030067	Pully f/Pistonmotor 35cc	1
4a	9030070	Pully f/Pistonmotor 45cc	1
5	9030052	Pully f/rotor 35cc	1
5a	9030071	Pully f/rotor 45cc	1
6	9030068	Lid	1
7	9030079	HD Washer	1
8	6702614	Bolt	1
9	6702626	Bolt	8
10	6702701	Bolt	1
11	6702618	Bolt	8
12	8362004	Nut	1
13	8142003	HD Washer	4
14	8222003	Sping washer	1

FR122B Belt drive 30.5cc gearmotor (ADGT1093)



ITEM NO.	PART NUMBER	DESCRIPTION	QTY.
1	9030063	Belt guard housing	1
2	9030065	Gearmotor 30.5cc	1
3	9030066	Motorplate	1
4	9030070	Pully f/gearmotor 30.5cc	1
5	9030071	Pully f/rotor 30.5cc	1
6	9030079	HD Washer	1
7	9030068	Lid	1
8	6702614	Bolt	1
9	6702626	Bolt	8
10	6702701	Bolt	1
11	6702618	Bolt	8
12	8362004	Nut	1
13	8142003	HD Washer	4
14	8222003	Sping washer	1

Stickers



8770322 Smørring
50 x 24 mm



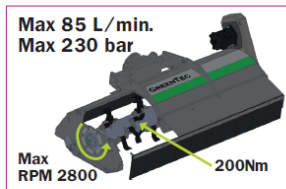
8770322 Smørring
50 x 24 mm



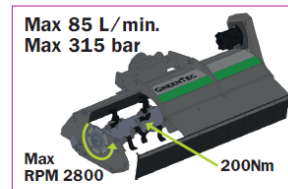
8770322 Smørring
50 x 24 mm



8770322 Smørring
50 x 24 mm



FR 122 Max-tryk – 130 x 85 mm



FR 122 Max-tryk – 130 x 85 mm

FR 122 KITS
6701681_Rev03

ITEM NO.	PART NUMBER	DESCRIPTION	QTY.
1	6701681	Stickers kits cpl	1



Merkurvej 25 | DK-6000 Kolding | Tel.: +45 75 55 36 44 | info@GreenTec.eu | www.GreenTec.eu

Cutting Edge Technology