

# QUADSAW

## LRS 2001-2401



**PARTS**

**UK**

13<sup>th</sup> edition 2017

 **GREENTEC**

Cutting Edge Technology



## GreenTec LRS 2001-2401

### PARTS

12. Edition – June 2015

Please ensure that this manual is handed to the operator before using the machine for the first time. If the machine is resold the Parts list must be given to the new owner!

The information contained in this Parts list is correct at the time of publication. However, in the course of constant development, changes in specification are inevitable. Should you find the information given in this book different to the machine it relates to please contact the “After Sales Department” for advice

The GreenTec logo, identical to the one at the top of the page.

Merkurvej 25  
DK 6000 Kolding  
Denmark  
Tel: +45 75553644  
Fax: +45 75554243  
Email: [info@greentec.eu](mailto:info@greentec.eu)  
web: [www.greentec.eu](http://www.greentec.eu)

© GreenTec Machinery Limited 2015

---

## Contents

<b>Contents</b> .....	<b>4</b>
<b>Introduction</b> .....	<b>5</b>
<b>Useful information</b> .....	<b>6</b>
<b>Ordering parts</b> .....	<b>7</b>
<b>Spare parts</b> .....	<b>8</b>
Mainframe 1 .....	8
Mainframe 2 .....	9
Blade shaft .....	10
Adjusting system .....	11
Piston motor .....	12
Stickers .....	13
Piston Motor info .....	15

---

## Introduction

Dear customer!

Your new Greentec machine is constructed with background in more than 20 years experience with tractor mounted machines to maintenance of green areas. This machine is produced by the latest technology and recognized safety regulations, standards and regulations.

We want to make a product available in such a way, that neither the use of the machine during transportation or maintenance of the machine causes any damage or misunderstandings.

This parts list contains information that are important and useful for maintaining your Greentec machine's reliability, dependability and value.

You are welcome to visit our website [www.greentec.eu](http://www.greentec.eu) - where the login via the dealer's access gives you the latest updates on instructional and part books on our entire product range. The password for dealer log-in: PUBLISHER

We hope, you will be pleased with your new Greentec machine.

Best regards,

A handwritten signature in blue ink, appearing to read "John Christensen".

John Christensen  
Sales Director Greentec A/S



**Greentec's** vision is to develop and sell quality machines for the maintenance of green areas, including in agriculture, in industry, at airports and in the local sector. Through innovative product development, we will strive to become a leader in our field.

All machines are developed in a simple and functional design in close cooperation with dealers and end users. It is our goal to cover every need in the market segment with preferably 2 different solutions. In-depth analysis of requirements and serious advice to the customer is offered the best solution, where individual needs can be met through the modularity of the product program. Our goal is also to offer the best possible after sales service, and a quick and efficient spare parts supply.

---

## Useful information

Before using the machine for the first time, it's the seller's responsibility that the buyer is given this parts list. If the machine is resold, the parts list must be transferred to the new owner.

Please fill out the list below to ensure that the necessary information is at hand when ordering spare parts etc.

Serial No	<input type="text"/>
Delivery date	<input type="text"/>
Dealer	<input type="text"/>
	<input type="text"/>
	<input type="text"/>
Tel/ fax	<input type="text"/>



Merkurvej 25  
DK 6000 Kolding  
Denmark  
Tel: +45 75553644  
Fax: +45 75554243  
Email: [info@greentec.eu](mailto:info@greentec.eu)  
web: [www.greentec.eu](http://www.greentec.eu)  
Opening hours: Mon-Fri 8-16

---

## Ordering parts

When ordering parts please refer to your parts list to help your dealer with your order.

Part number and quantity  
Description  
Machine model number  
Serial number of the machine  
Delivery instructions (e.g. next day).

Delivery is normally via carrier direct to your dealer. Please check with your dealer for stock availability and arrangement of dispatch. Ensure you or your dealer has sufficient cover for parts requirement outside factory hours.

### Important Note

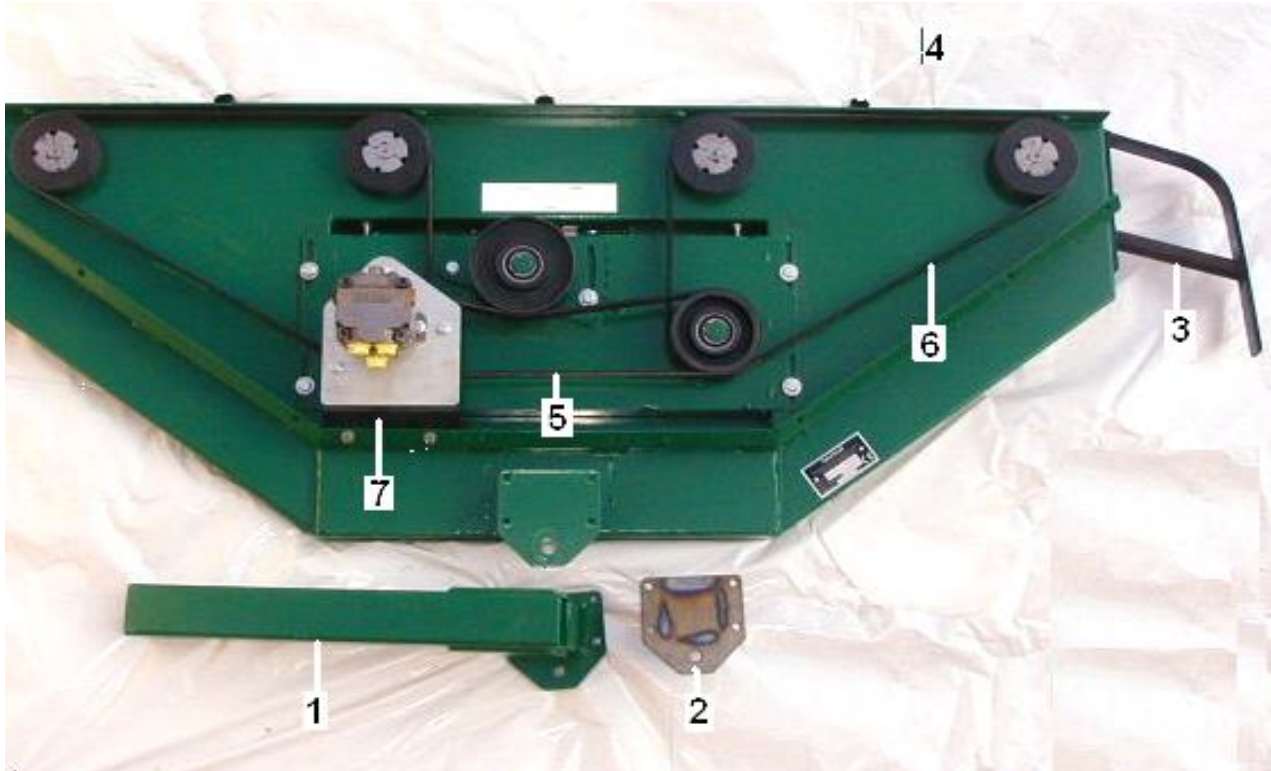
The information contained in this manual is correct at the time of publication. However, in the course of constant development, changes in specification are inevitable. Should you find the information given in this book different to the machine it relates to, please contact the "After Sales Department" for advise.

### Key:

(LH)	=	Left hand
(RH)	=	Right hand

## Spare parts

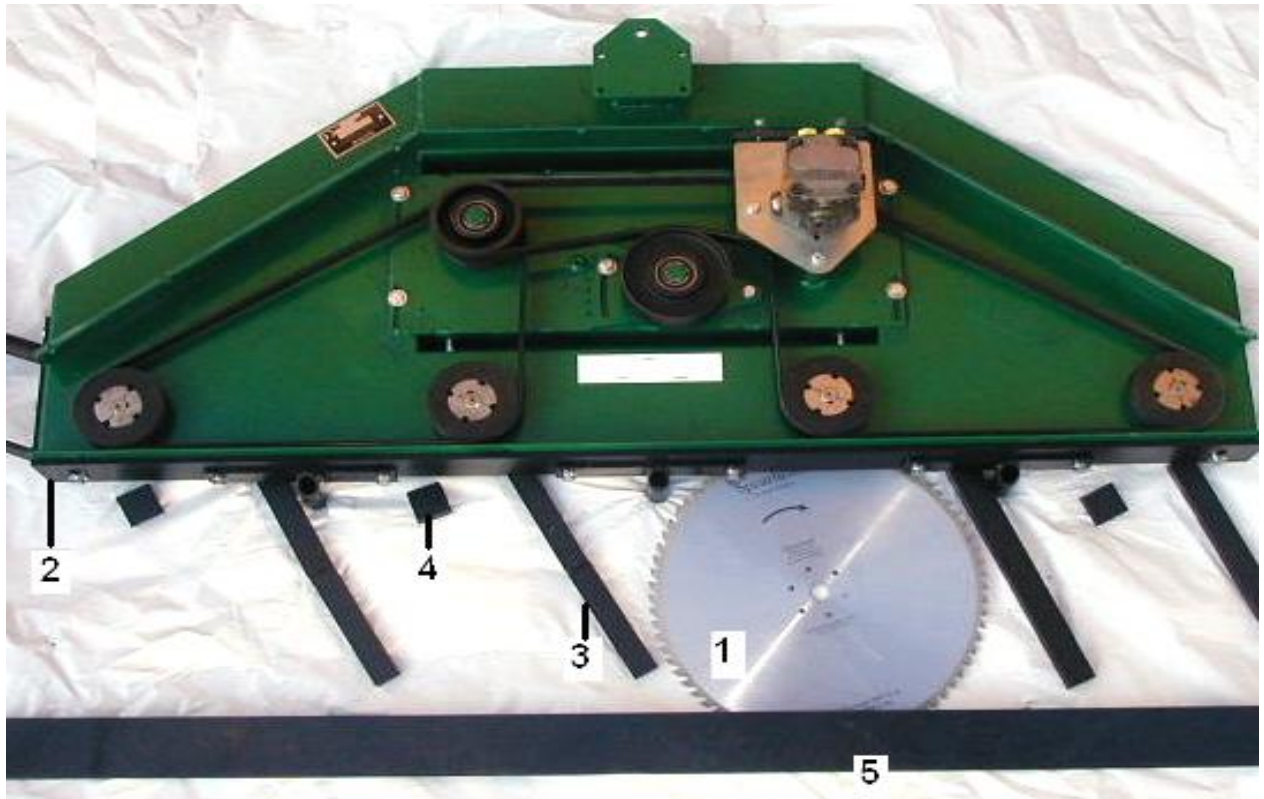
### Mainframe 1



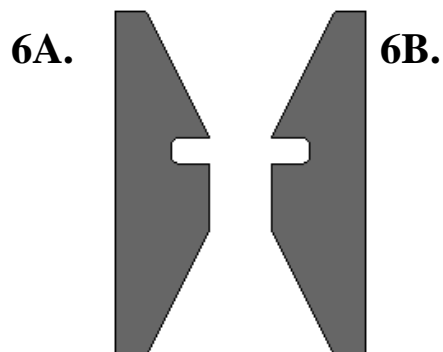
Pos.	LRS2001	LRS2401	Description	Number
1	200101.0	-----	Mounting arm with splines. 2001 - 2005	1
1	240309	240309	Mounting arm from 2005 and forward RH	1
1	240309	240309	Mounting arm from 2005 and forward LH	1
1A	-----	-----	Bolt 10x40 mm Grade 8.8	4
1B	-----	-----	Bolt 16x40 mm Grade 8.8	1
2	240147.0	240147.0	Welding kit for arm	1
3	200170.R	240170R	Skid EU model	1
3	200170.L	240170L	Skid for left use, GB model	1
4	200112.0	240112.0	Branch carrier fits L and R hand machines	3
4	-----	240113.0	Branch carrier fits L and R hand 2401 machines.	3
4A	200113.0	200113.0	10x40 mm bolt for Branch carrier	6
4B	200109.0	200109.0	10x30 mm bolt for Branch carrier (outer)	2
4C	8142003	8142003	10x30x4 mm spacer	2
5	200141.0	240141.0	Belt, short	1
6	200140.0	240140.0	Belt, long	2
7	200142.0	200142.0	Rubber protection	1
---	200155.0	200155.0	Belt tension control tool	1



## Mainframe 2



Pos.	LRS 2001	LRS 2401	Description	Number
1	200111.1	240111.0	Blade	4
2	200110.0	240110.0	Plastic strip	1
3	-----	240168.0	Wear plate, long	4
3	-----	-----	From 1/2012 None mounted on LRS 2401	0
3A	-----	200163.0	8x10 mm Allen screw	8
4	200157.0	200157.0	Wear plate, short ◻ Juni 2007 ⇐	4
4	200153.0	200153.0	Wear plate, short ○ Juli 2007 ⇒ From 1/2012 None mounted on LRS 2401	4
4A	200116.0	200116.0	8x16 mm Allenscrew	4
5	200162.0	240156.0	Traffic protection	1
6A	200172.0S	240172.0S	Lid RH Black	1
6B	200171.0S	240171.0S	Lid LH Black	1

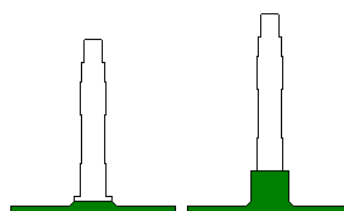


## Blade shaft



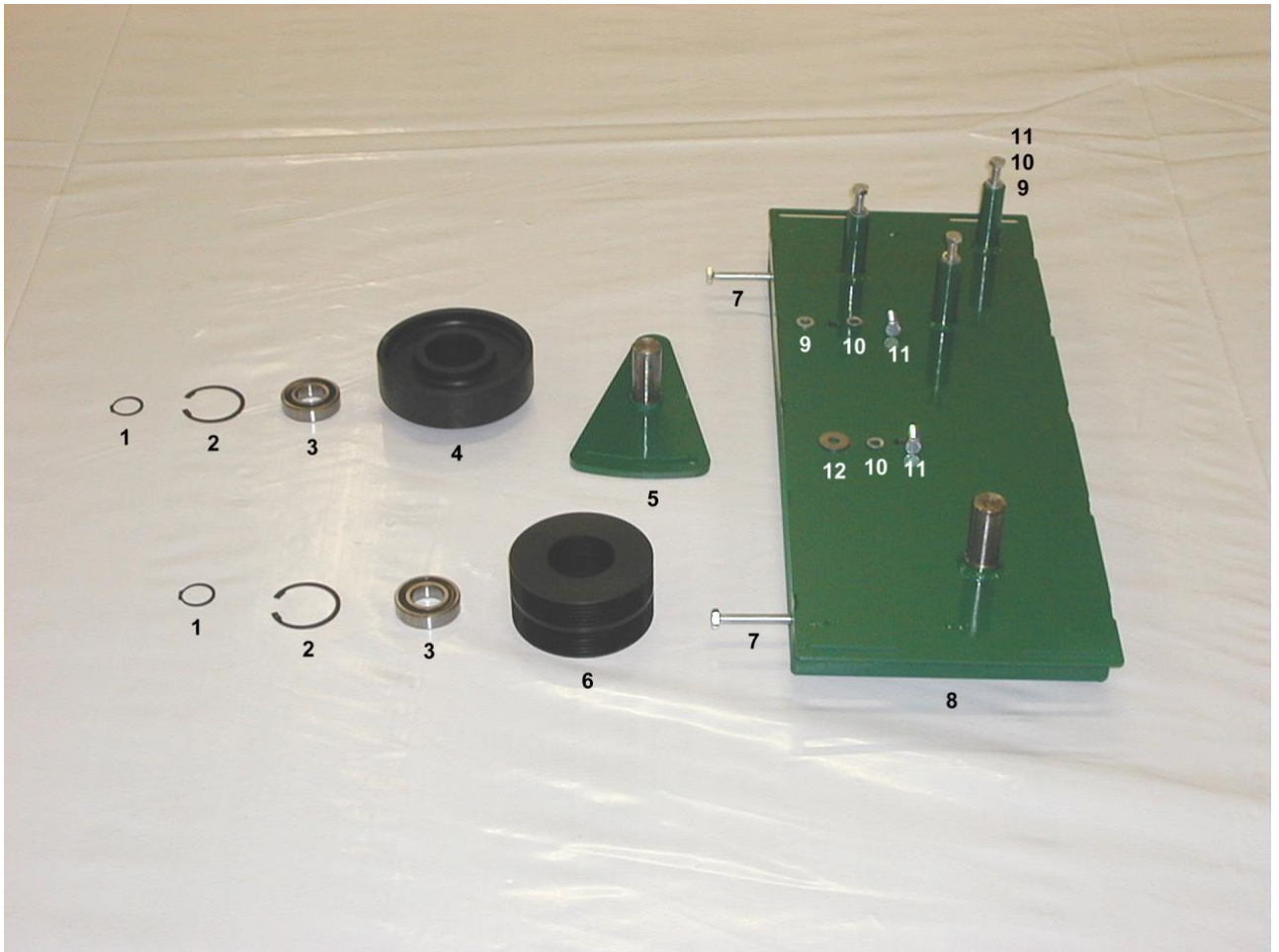
Pos.	LRS 2001	LRS 2401	Description	Number
1	200114.0	200114.0	Mounting plate	4
2	200115.0		Centerbolt, conically	4
	200115.1	200115.1	Centerbolt, Std. Allen	4
3	200116.0	200116.0	Bolt	4 x 6
4*	200117.0	240117.0	Blade shaft Short	4
4A*	-----	240217.0	Blade shaft Long	4
5	200118.0	240118.0	Seal	4
6	200119.0	240119.0	Circlip	4 x 2
7	200120.0	240120.0	Bearing	4 x 2
8	200121.0	240121.0	Circlip	4
9	200122.0	240122.0	Pulley	4
10	200123.0	240123.0	Taper-lock, clamping element	4

Pos.4\*  
240117.0  
(Frem til dec. 2010)



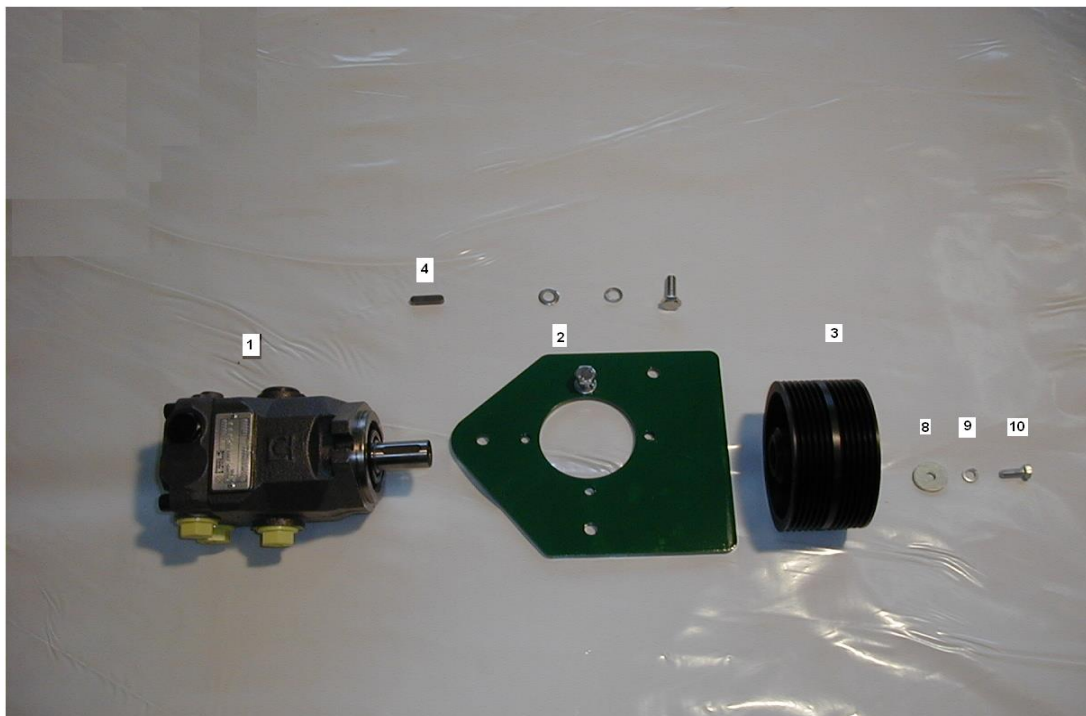
Pos. 4A\*  
240217.0  
(Fra 2011)

## Adjusting system



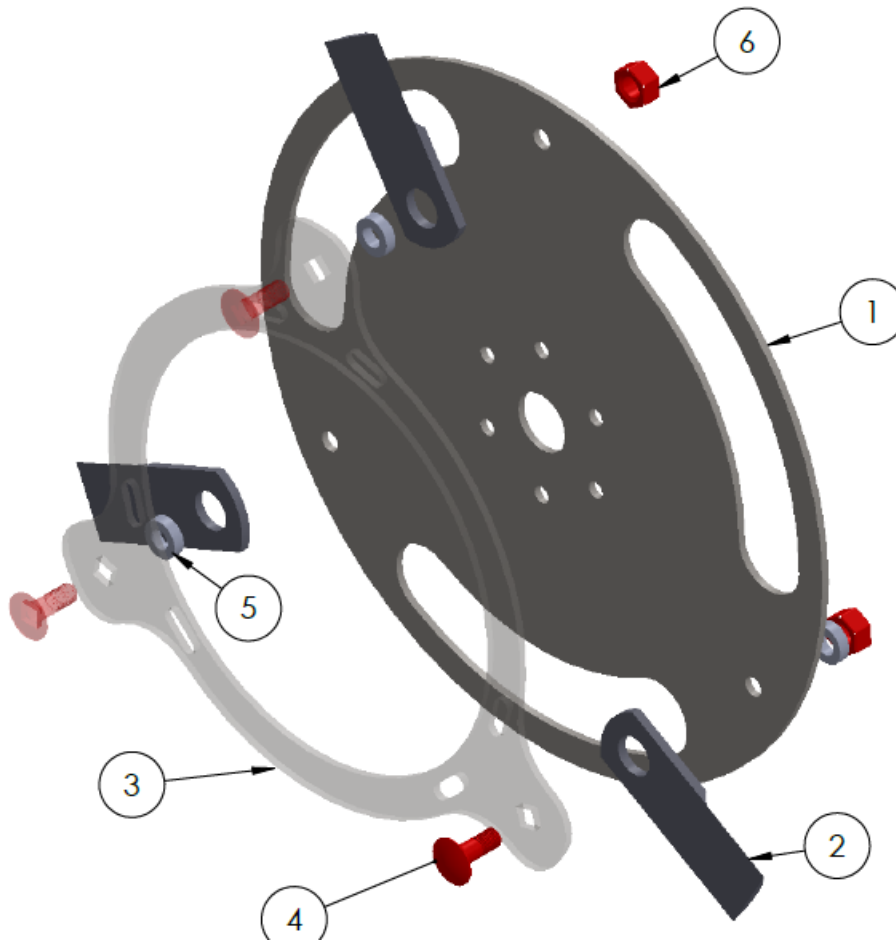
Pos.	LRS 2001	LRS 2401	Description	Number
1	200121.0	200121.0	Lock ring	2
2	200119.0	200119.0	Lock ring	2 x 2
3	200120.0	200120.0	Bearing	2 x 2
4	200124.0	240124.0	Tension pulley	1
5	200125.0	240125.0	Adjustable tightening plate	1
6	200126.0	240126.0	Pulley double	1
7	200127.0	200127.0	Adjustment bolt	2
8	200128.R	240128.R	Adjustment box	1
8	200128.L	240128.L	Adjustment box	1
9	200129.0	200129.0	Washer	4
10	2770436	2770436	Spring washer	5
11	200109.0	200109.0	Bolt	5
12	8142003	8142003	Washer HD	1

## Piston motor



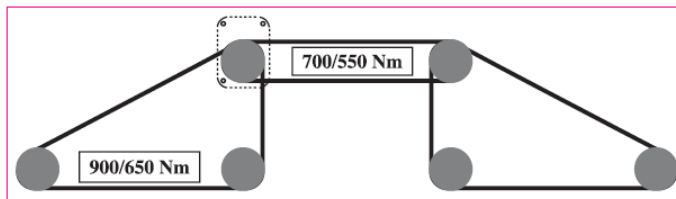
Pos.	LRS 2001	LRS 2401	Description	Number
1	200230.0	200230.0	Piston motor 15 cc	1
1	200231.0	200231.0	Piston motor 28 cc	1
1A	200230A	200230A	Seal + O-ring (Output shaft)	1
1B	200230B	200230B	Seal kit cpl.	1
2	200235.0	240235.0	Mounting plate	1
3	200237.0	240237.0	Pulley	1
4	200234.0	200234.0	Key	1
5	2770436	2770436	Washer	2
6	8222003	8222003	Spring washer	2
7	200109.0	200109.0	Bolt	2
8	200138.0	200138.0	Washer	1
9	8222038	8222038	Spring washer	1
10	200139.0	200139.0	Bolt	1
	200158.0	200158.0	3/4" hydraulic hose	2
	200159.0	200159.0	3/8" hydraulic hose	1
	65.042.20	65.042.20	Protection hose	1.6m

## Blade rotor



Pos.	LRS 2001	LRS 2401	Description	Number
1	6701933		Down rotorplate	1
2	8027001		Knife	3
3	8177005		Outer rotorplate	1
4	8022002		Knife bolt	3
5	8021010		Bushing	3
6	8622003		Nut	3

## Stickers



170 x 48 mm

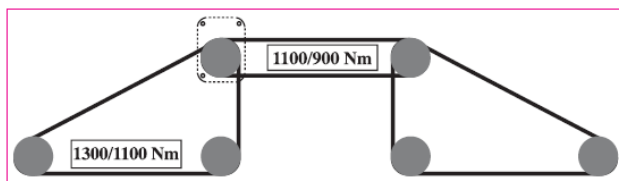


317 x 112 mm



1320 x 130 mm

**LRS2001 KITS**



170 x 48 mm



317 x 112 mm



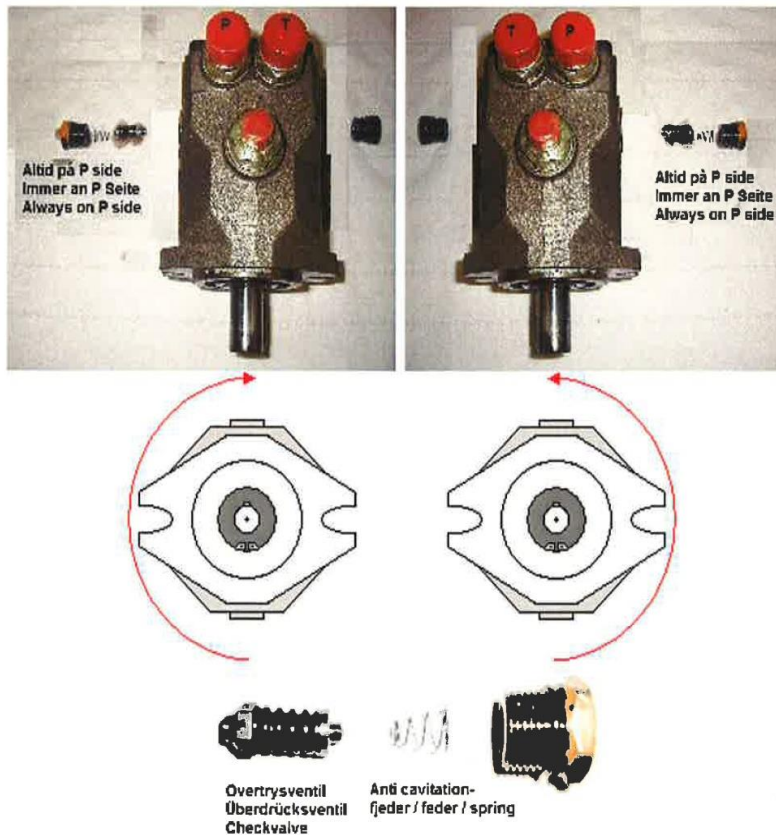
1395 x 130 mm

**LRS2401 KITS**

Pos.	Lrs 2001	Lrs 2401	Description	Number
1	LRS2001 KITS	LRS2401KITS	Stickers cpl.	1

## Piston Motor info

Motor som reservedel    Motor als Ersatzteil    Motor as sparepart



Nye motorer leveres uden overtryksventil. Afmonter den fra tidligere motor. Monter den i samme side som den tidligere var monteret.  
HUSK !!!!! Spæd motor op med olie inden opstart.

Neue Motor wird geliefert ohne Überdrucksventil. Nehmen Sie es von Frühere Motor.  
Montieren Sie es von gleiche Seite als früher.  
Achtung !!!!! Immer Motor mit Öl füllen bevor Start.

New motors is always delivered without oil. Use the one from earlier motor. Mount it in the same side as earlier.  
Warning !!!!! Fill motor with oil before starting it.



Merkurvej 25 | DK-6000 Kolding | Tel.: +45 75 55 36 44 | [info@GreenTec.eu](mailto:info@GreenTec.eu) | [www.GreenTec.eu](http://www.GreenTec.eu)

*Cutting Edge Technology*