

# MULTI CARRIER

## PUMA 2803



**PARTS**

**EN**

1<sup>th</sup> Edition 2023

 **GREENTEC**

*Cutting Edge Technology*





**IMPORTANT INFORMATION****GreenTec Puma 2803 S & P****PARTS****1<sup>th</sup> Edition – 2023**

**NOTICE:** Please ensure that this manual is handed to the operator before using the machine for the first time. If the machine is resold, the Parts list must be given to the new owner!

The information contained in this Parts list is correct at the time of publication. However, in the course of constant development, changes in specification are inevitable. Should you find the information given in this book different to the machine it relates to please contact the “After Sales Department” for advice.



Merkurvej 25  
DK 6000 Kolding  
Denmark  
Tel: +45 75553644  
Fax: +45 75554243  
Email: [info@greentec.eu](mailto:info@greentec.eu)  
web: [www.greentec.eu](http://www.greentec.eu)

---

## CONTENTS

<b>CONTENTS</b> .....	<b>4</b>
<b>INTRODUCTION</b> .....	<b>5</b>
<b>USEFUL INFORMATION</b> .....	<b>6</b>
<b>ORDERING PARTS</b> .....	<b>7</b>
<b>SPARE PARTS</b> .....	<b>8</b>
Puma 2803 S & P cpl. ....	8
Main frame cpl. Puma 2803 S & P (ADGT1401) .....	9
Arm cpl. Puma 2803 S & P (ADGT1402) .....	11
Cylinder Puma 2803 S & P (ADGT1403) .....	12
Head bracket cpl. Puma 2803 S & P (ADGT1405).....	13
Break back cpl. Puma 2803 S & P (ADGT1355), Hydac round model .....	14
Break back cpl. Puma 2803 S & P, oval model .....	15
Flowdivider cpl. Puma 2803 S (ADGT1406).....	16
Valve cpl. Puma 2803 P (ADGT1407).....	17
Counterweight Puma 2803 S & P OPTE1288 (option) .....	19
Stickers .....	20



## INTRODUCTION

Dear customer!

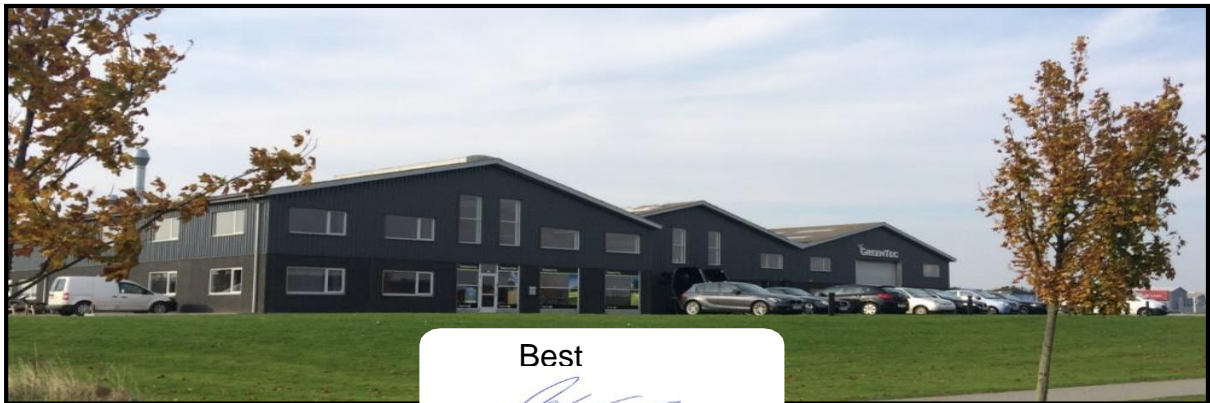
Your new GreenTec machine is constructed with background in more than 20 years' experience with tractor-mounted machines to maintenance of green areas. This machine is produced by the latest technology and recognized safety regulations, standards and regulations.

We want to make a product available in such a way, that neither the use of the machine during transportation or maintenance of the machine causes any damage or misunderstandings.

This parts list contains information that are important and useful for maintaining your GreenTec machine's reliability, dependability and value.

You are welcome to visit our website [www.greentec.eu](http://www.greentec.eu) - where the login via the dealer's access gives you the latest updates on instructional and part books on our entire product range.

We hope you will be pleased with your new GreenTec machine.



Best

A handwritten signature in blue ink, appearing to read "John Christensen".

John Christensen  
SalesDirector GreenTec

GreenTec's vision is to develop and sell quality machines for the maintenance of green areas, including in agriculture, in industry, at airports and in the local sector. Through innovative product development, we will strive to become a leader in our field.

All machines are developed in a simple and functional design in close cooperation with dealers and end users. It is our goal to cover every need in the market segment with preferably two different solutions. In-depth analysis of requirements and serious advice to the customer is offered the best solution, where individual needs can be met through the modularity of the product program.

Our goal is also to offer the best possible after sales service, and a quick and efficient spare parts supply.

## USEFUL INFORMATION

Before using the machine for the first time, it's the seller's responsibility that the buyer is given this parts list. If the machine is resold, the parts list must be transferred to the new owner.

Please fill out the list below to ensure that the necessary information is at hand when ordering spare parts etc.

Serial No	<input type="text"/>
Delivery date	<input type="text"/>
Dealer	<input type="text"/>
	<input type="text"/>
	<input type="text"/>
Tel/ fax	<input type="text"/>



## ORDERING PARTS

When ordering parts please refer to your parts list to help your dealer with your order.

- Part number and quantity
- Description
- Machine model number
- Serial number of the machine
- Delivery instructions (e.g. next day).

Delivery is normally via carrier direct to your dealer. Please check with your dealer for stock availability and arrangement of dispatch. Ensure you or your dealer has sufficient cover for parts requirement outside factory hours.

### Important Note:

The information contained in this manual is correct at the time of publication.

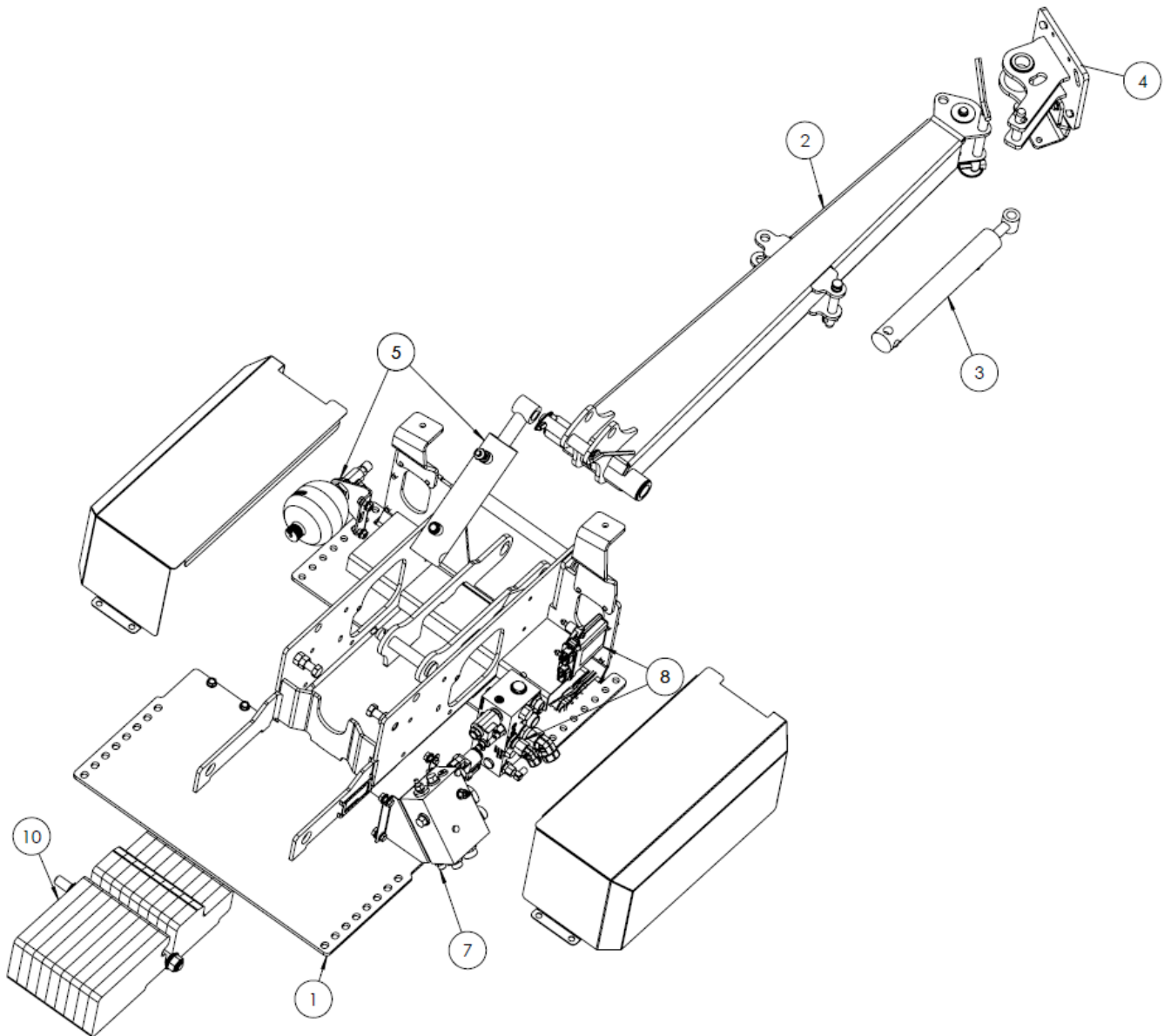
However, in the course of constant development, changes in specification are inevitable. Should you find the information given in this book different to the machine it relates to, please contact the "After Sales Department" for advice.

### Key:

**LH:** Left hand  
**RH:** Right hand

## SPARE PARTS

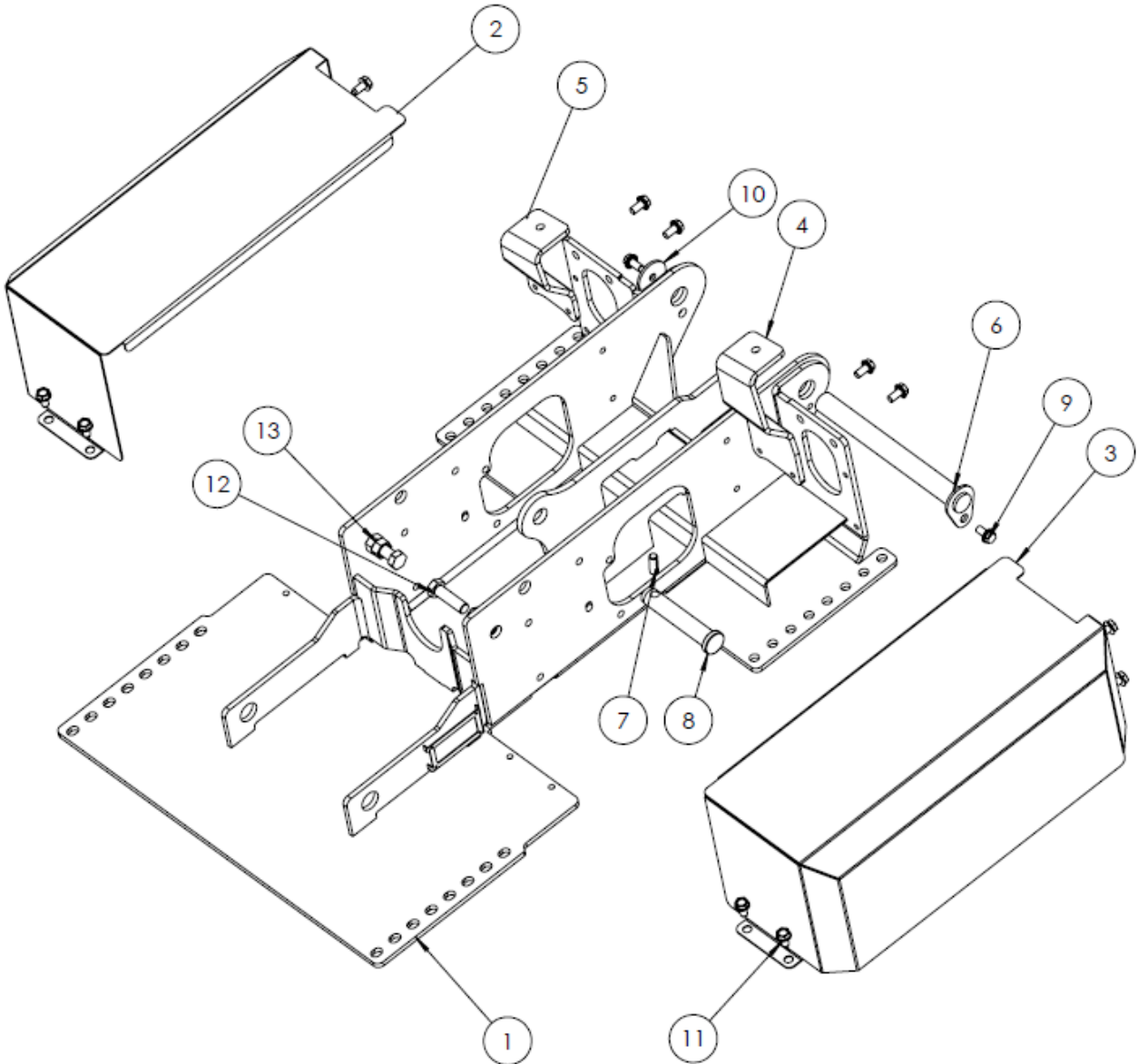
### Puma 2803 S & P cpl.



ITEM NO.	PART NUMBER	DESCRIPTION	QTY.
1		Main frame cpl.	1
2		Arm cpl.	1
3		Cylinder	1
4		Head bracket cpl.	1
5		Break back and accumulator	1
7		Flowdivider Puma 2803 S	1
8		Valve Puma 2803 P	1
10	OPTE1288	Counterweigh (option)	



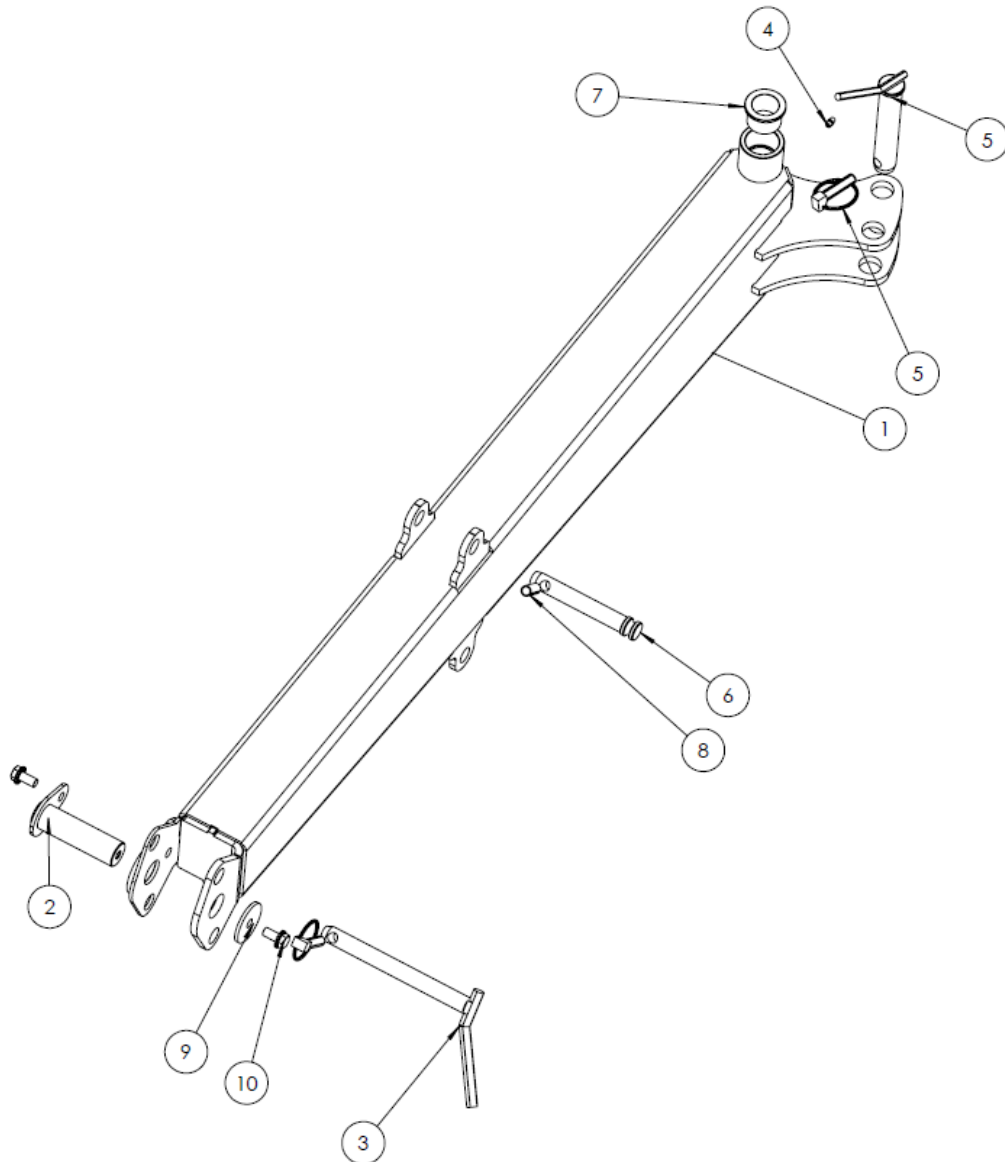
Main frame cpl. Puma 2803 S & P (ADGT1401)



---

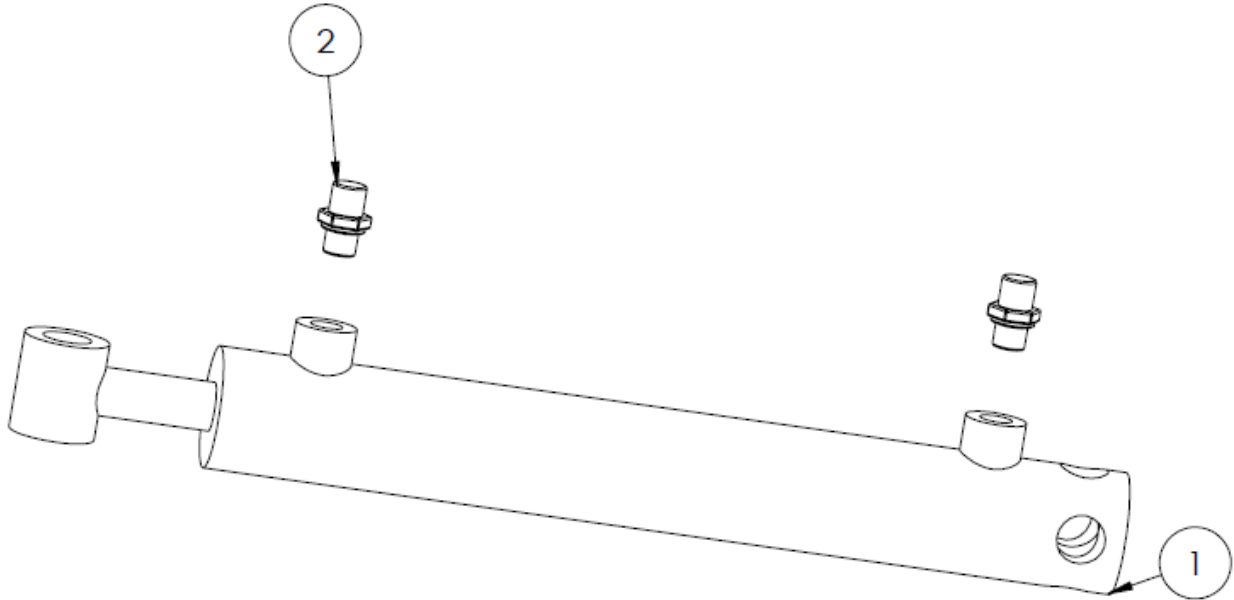
ITEM NO.	PART NUMBER	DESCRIPTION	QTY.
1	6702790	Main frame	1
2	6702793	Cover bottom right model/top left model	1
3	6702794	Cover bottom left model/top right model	1
4	6702384.3	Supportleg	1
5	6702384.2	Supportleg	1
6	6702795	Pin f/arm	1
7	6701549	Dowel pin	1
8	8290031	Pin	1
9	6702626	Flangebolt	6
10	6702699	Washer	1
11	8222035	Bolt	8
12	8222016	Bolt	2
13	2770449	Nut	2

## Arm cpl. Puma 2803 S & P (ADGT1402)



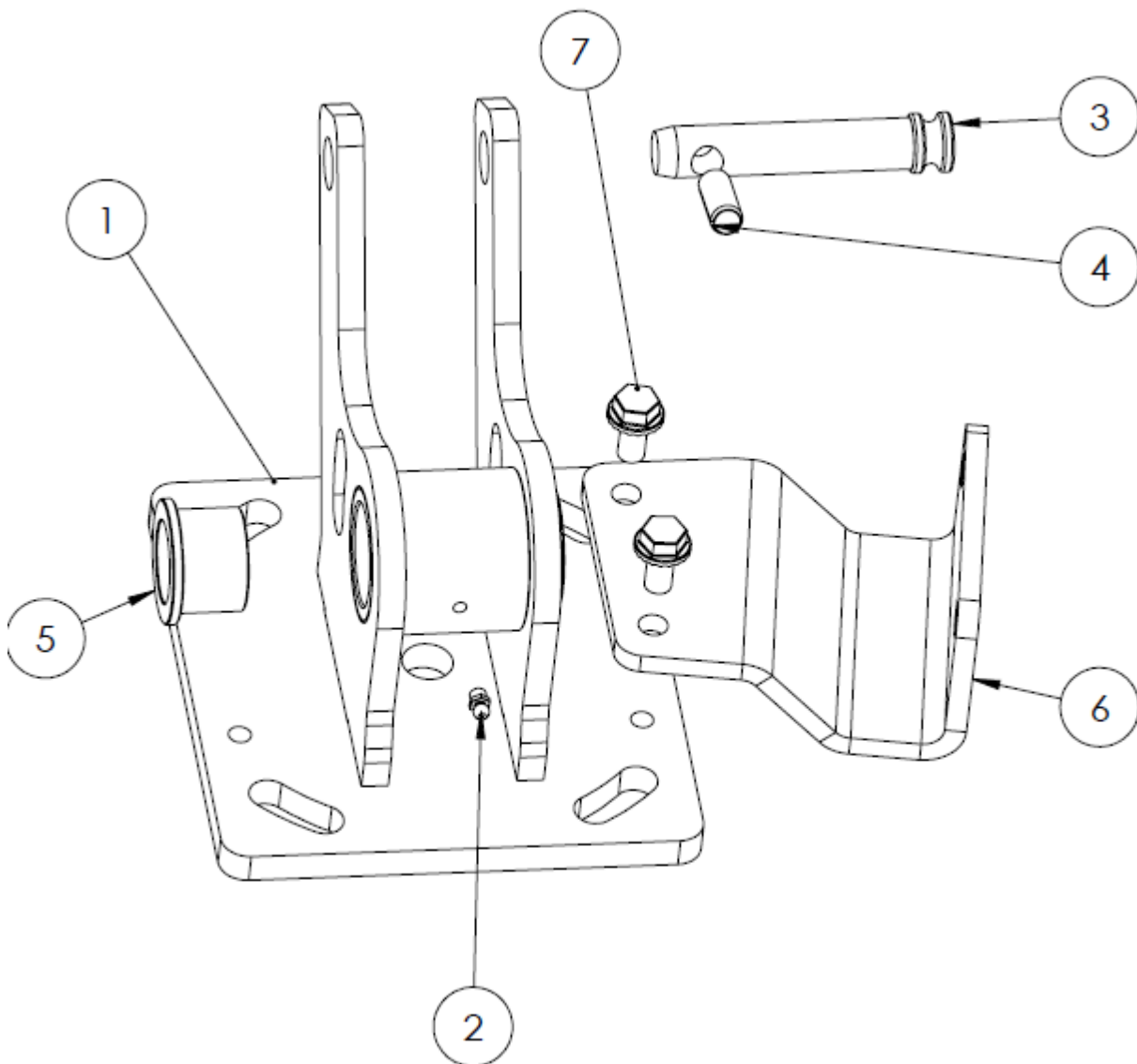
ITEM NO.	PART NUMBER	DESCRIPTION	QTY.
1	6702791	Arm	1
2	6702796	Pin	1
3	8290051	Bolt with handler and lynch pin	1
4	8222027	Greasnipple	1
5	6706003	Bolt with handler and lynch pin	1
6	6310202A	Top link bolt	1
7	8284001	Plast bushing	2
8	6701549	Dowel pin	1
9	6702699	Washer	1
10	6702626	Flangebolt	2

### Cylinder Puma 2803 S & P (ADGT1403)



TEM NO.	PART NUMBER	DESCRIPTION	QTY.
1	8290027	Cylinder	1
2	6702829	Nipple	2

## Head bracket cpl. Puma 2803 S & P (ADGT1405)

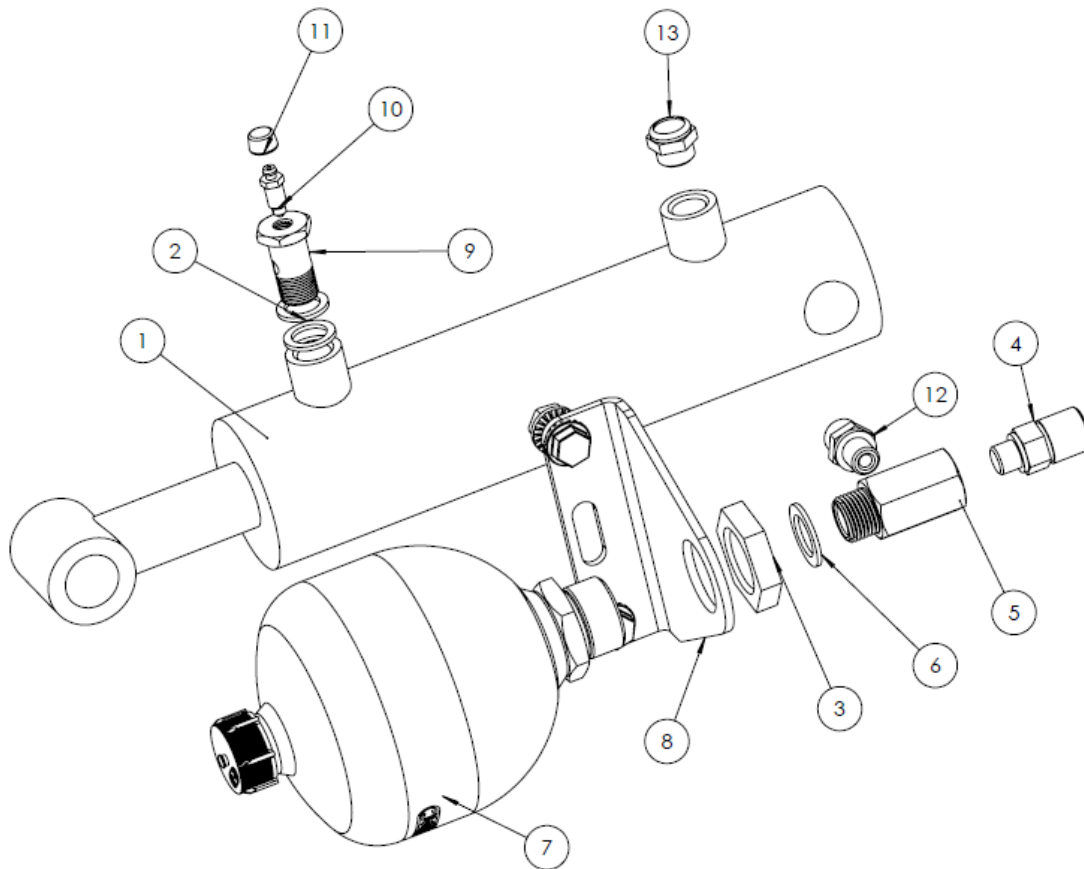


ITEM NO.	PART NUMBER	DESCRIPTION	QTY.
1	6702845	Head crowd bracket	1
2	8222027	Greasenipple	1
3	6310202	Top link bolt	1
4	6701549	Dowel pin	1
5	8284001	Plast bushing	2
6	6702384.1	Support leg	1
7	6702626	Flangebolt	2



## Break back cpl. Puma 2803 S & P (ADGT1355)

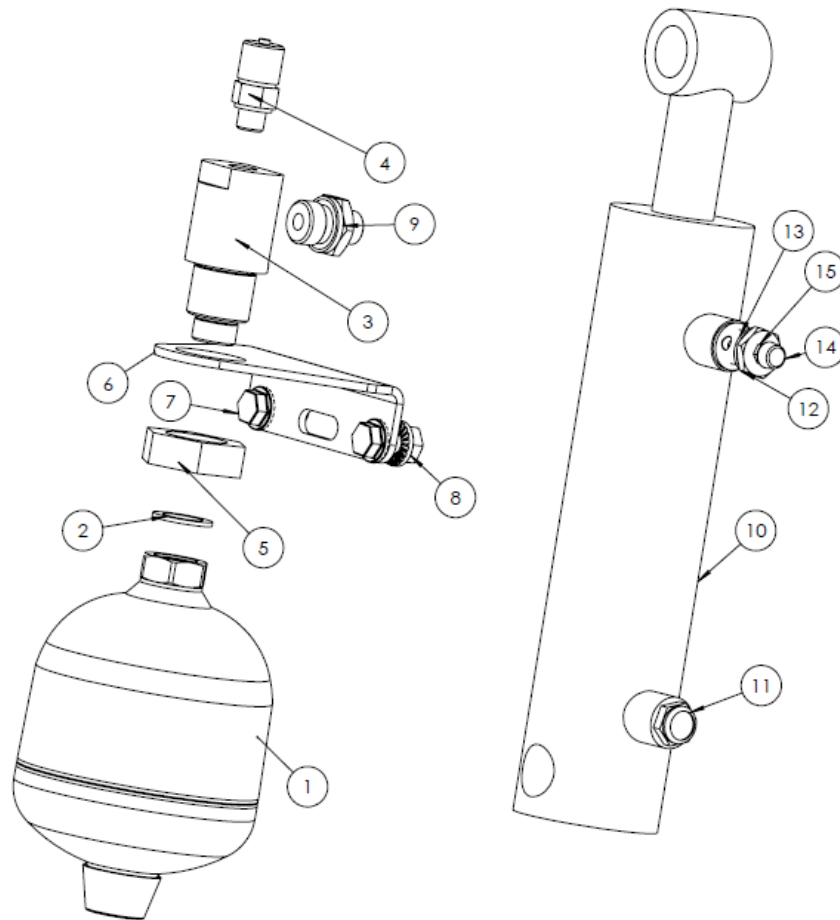
Hydac, round model



ITEM NO.	PART NUMBER	DESCRIPTION	QTY.
1	8283017	Cylinder	1
2	6703003	Seals	2
3	6702005	Contranut	1
4	6703007	Mini-mesh	1
5	8290022	Nipple	1
6	6703010	Seal	1
7	6703005	Accumulator	1
8	6702389	Bracket f/accumulator	1
9	8290024	Banjobolt	1
10	8290023	Breather	1
11	8290025	Cover for breather	1
12	9040118	Nipple	1
13	6703013	Filter plug	1
14	6702626	Flangebolt	2
15	6702398	Flangenut	2

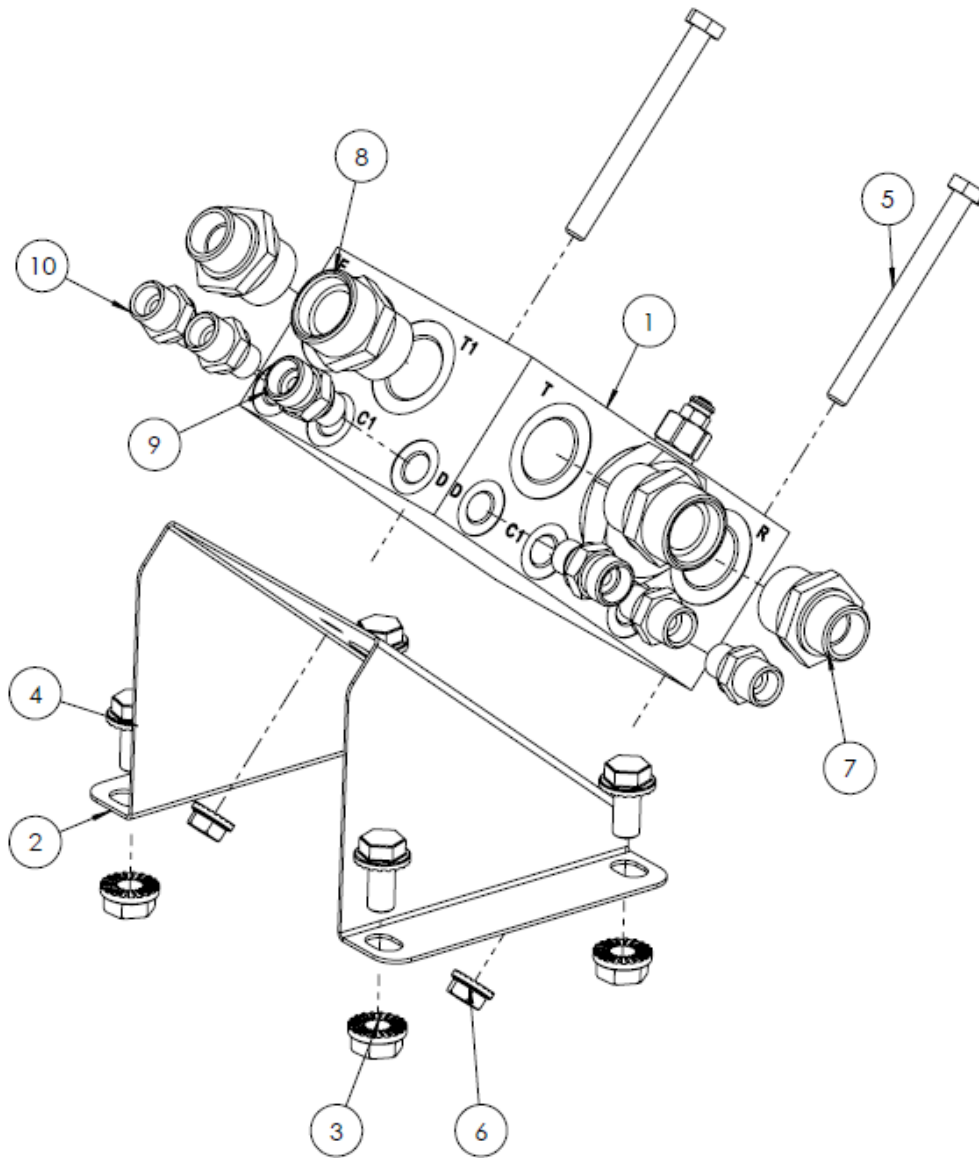
## Break back cpl. Puma 2803 S & P

Oval model



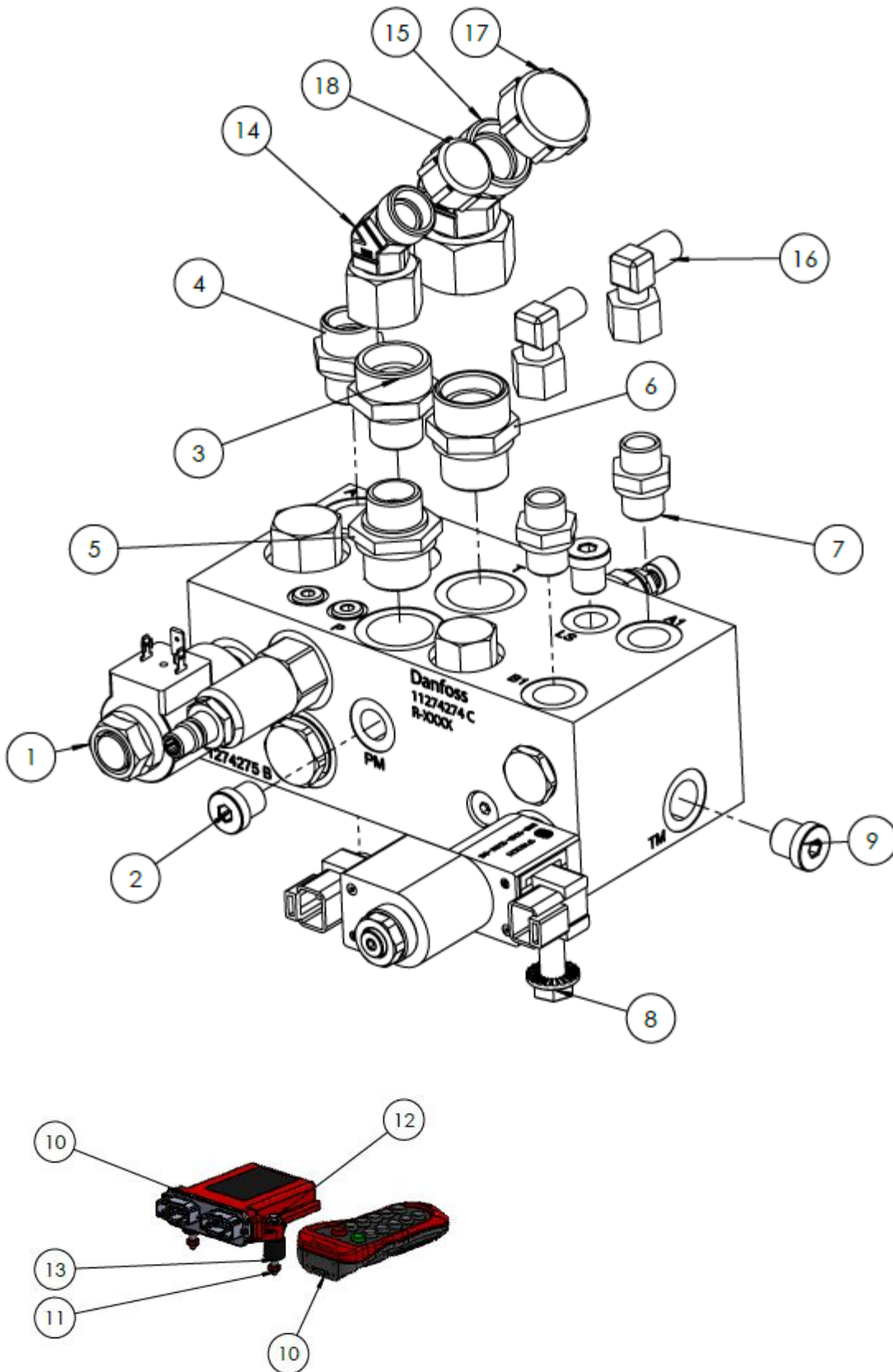
ITEM NO.	PART NUMBER	DESCRIPTION	QTY.
1	6703163	Accumulator	1
2	6703010	Seal	1
3	6703200	Nipple	1
4	6703007	Mini-mesh	1
5	6703201	Contranut	1
6	6702389	Bracket f/accumulator	1
7	6702626	Flangebolt	2
8	6702398	Flangenut	2
9	9020307	Nipple	1
10	8283017	Cylinder	1
11	6703013	Filter plug	1
12	8290024	Banjobolt	1
13	6703003	Seals	2
14	8290025	Cover for breather	1
15	8290023	Breather	1

## Flowdivider cpl. Puma 2803 S (ADGT1406)



ITEM NO.	PART NUMBER	DESCRIPTION	QTY.
1	6703014-41	Flowdivider	1
2	6702390	Valvebracket	1
3	6702398	Flangenut	4
4	6702626	Flangebolt	4
5	931080852	Bolt	2
6	6702627	Flangenut	2
7	6702240	Nipple	2
8	9020111	Nipple	2
9	6702028	Nipple	2
10	9040118	Nipple	2

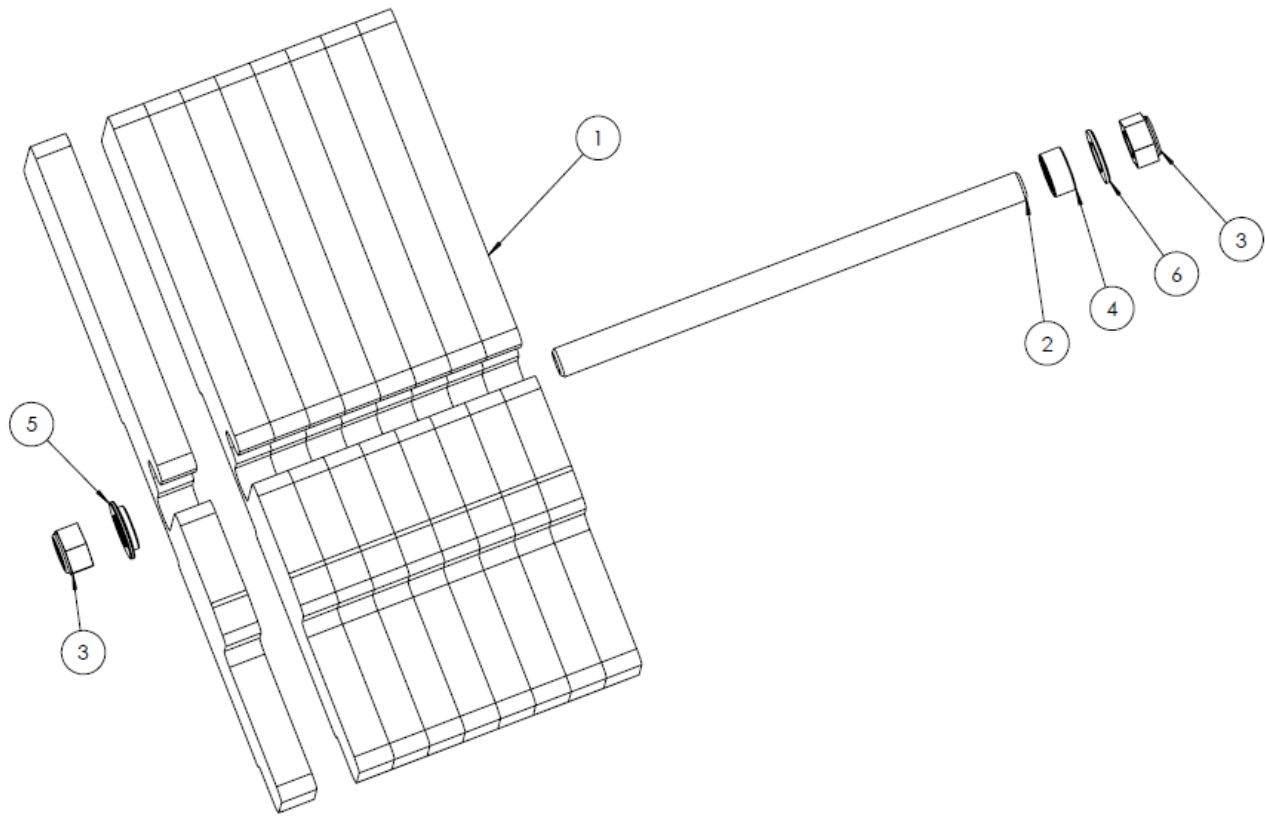
Valve cpl. Puma 2803 P (ADGT1407)



ITEM NO.	PART NUMBER	DESCRIPTION	QTY.
1	6702261-40	Valve	1
2	81823025	Plug	2
3	9020308	Nipple	1
4	9040116	Nipple	1
5	6702240	Nipple	1
6	6702011	Nipple	1
7	9040120	Nipple	2
8	6702626	Flangebolt	2
9	6701988	Plug	1
10	6702086	Remote control and controller	1
11	8752002	Lock nut	2
12	9040206	Bolt	2
NS	8482004	Washer	2
NS	6702007	Washer	2
13	6702756	Vibration absorber	2
14	6702754	Nipple	1
15	6702755	Nipple	1
16	81823010	Nipple	2
17	RM12122	Plast plug	1
18	RM12108	Plast plug	1
NS	6702203	Cable tree	1
NS		AAA Alkaline batteries	4

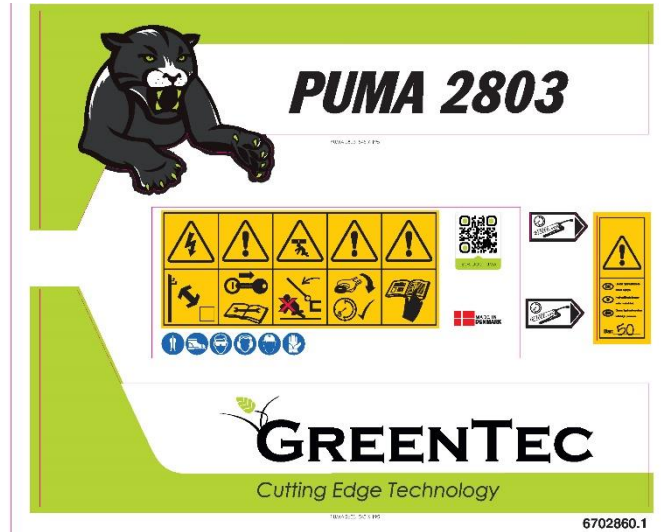
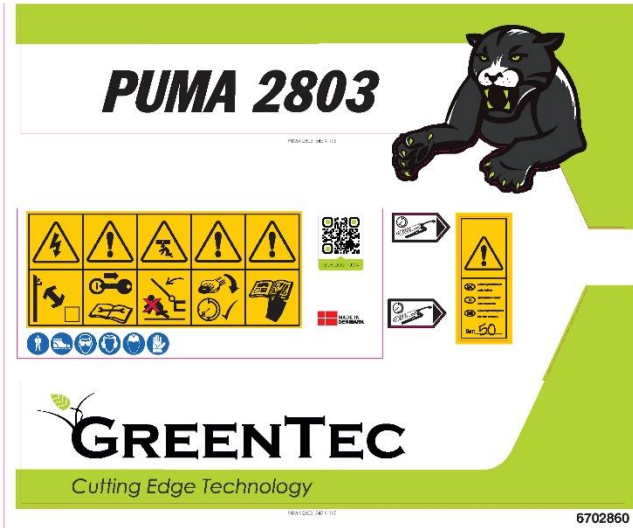


**Counterweight Puma 2803 S & P OPTE1288 (option)**



ITEM NO.	PART NUMBER	DESCRIPTION	QTY.
1	6702838	Counterweight 9.6 kg	9
2	6702799	Threaded rod	1
3	9040182	Locknut	2
4	6702798	Bushing	1
5	6702797	Special washer	1
6	9040183	Washer	1

## Stickers



NO.	PART NUMBER	DESCRIPTION	QTY.
1	6702860	Stickers kits Puma 2803 Right	1
	6702860.1	Stickers kits Puma 2803 Left	1



Merkurvej 25 | DK-6000 Kolding | Tel.: +45 75 55 36 44 | [info@GreenTec.eu](mailto:info@GreenTec.eu) | [www.GreenTec.eu](http://www.GreenTec.eu)

*Cutting Edge Technology*