

MULTI CARRIER

PUMA 3303



PARTS

EN

1th Edition 2023

 **GREENTEC**

Cutting Edge Technology



IMPORTANT INFORMATION**GreenTec PUMA 3303****PARTS****1th Edition – 2023**

NOTICE: Please ensure that this manual is handed to the operator before using the machine for the first time. If the machine is resold, the Parts list must be given to the new owner!

The information contained in this Parts list is correct at the time of publication. However, in the course of constant development, changes in specification are inevitable. Should you find the information given in this book different to the machine it relates to please contact the “After Sales Department” for advice.



Merkurvej 25
DK 6000 Kolding
Denmark
Tel: +45 75553644
Fax: +45 75554243
Email: info@greentec.eu
web: www.greentec.eu

CONTENTS

CONTENTS	4
INTRODUCTION	5
USEFUL INFORMATION	6
ORDERING PARTS	7
SPARE PARTS	8
Puma 3303 S & P cpl.	8
Head crown bracket cpl. Puma 3303 S & P (ADGT1351)	10
Arm cpl. Puma 3303 S & P (ADGT1352)	11
Breakback system cpl. Puma 3303 S & P (ADGT1355).....	12
Break back cpl. Puma 2803 S & P	13
EL-valve cpl. Puma 3303 P (ADGT1357).....	14
EL-valve cpl. Puma 3303 P	16
Flowdivider cpl. Puma 3303 S (ADGT1358).....	17
Head angle ram Puma 3303 S & P cpl. (ADGT1356)	18
Supportleg cpl. Puma 3303 S & P (ADGT1356).....	18
Counterweigh cpl. Puma 3303 S & P (OPTE1290) OPTION	19
Stickers	20

INTRODUCTION

Dear customer!

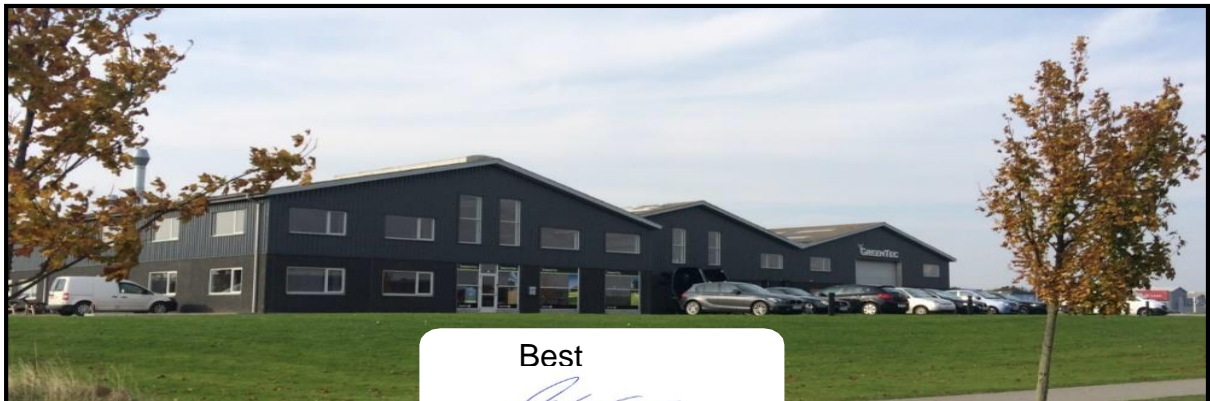
Your new GreenTec machine is constructed with background in more than 20 years' experience with tractor-mounted machines to maintenance of green areas. This machine is produced by the latest technology and recognized safety regulations, standards and regulations.

We want to make a product available in such a way, that neither the use of the machine during transportation or maintenance of the machine causes any damage or misunderstandings.

This parts list contains information that are important and useful for maintaining your GreenTec machine's reliability, dependability and value.

You are welcome to visit our website www.greentec.eu - where the login via the dealer's access gives you the latest updates on instructional and part books on our entire product range.

We hope you will be pleased with your new GreenTec machine.



Best

A handwritten signature in blue ink, appearing to read "John Christensen".

John Christensen
SalesDirector GreenTec

GreenTec's vision is to develop and sell quality machines for the maintenance of green areas, including in agriculture, in industry, at airports and in the local sector. Through innovative product development, we will strive to become a leader in our field.

All machines are developed in a simple and functional design in close cooperation with dealers and end users. It is our goal to cover every need in the market segment with preferably two different solutions. In-depth analysis of requirements and serious advice to the customer is offered the best solution, where individual needs can be met through the modularity of the product program.

Our goal is also to offer the best possible after sales service, and a quick and efficient spare parts supply.

USEFUL INFORMATION

Before using the machine for the first time, it's the seller's responsibility that the buyer is given this parts list. If the machine is resold, the parts list must be transferred to the new owner.

Please fill out the list below to ensure that the necessary information is at hand when ordering spare parts etc.

Serial No	<input type="text"/>
Delivery date	<input type="text"/>
Dealer	<input type="text"/>
	<input type="text"/>
	<input type="text"/>
Tel/ fax	<input type="text"/>



GREENTEC
Merkurvej 25
DK 6000 Kolding
Danmark
Tel: +45 75553644
Fax: +45 75554243
Email: info@greentec.eu
web: www.greentec.eu
Opening hours: Mon-Fri 8-16

ORDERING PARTS

When ordering parts please refer to your parts list to help your dealer with your order.

- Part number and quantity
- Description
- Machine model number
- Serial number of the machine
- Delivery instructions (e.g. next day).

Delivery is normally via carrier direct to your dealer. Please check with your dealer for stock availability and arrangement of dispatch. Ensure you or your dealer has sufficient cover for parts requirement outside factory hours.

Important Note:

The information contained in this manual is correct at the time of publication.

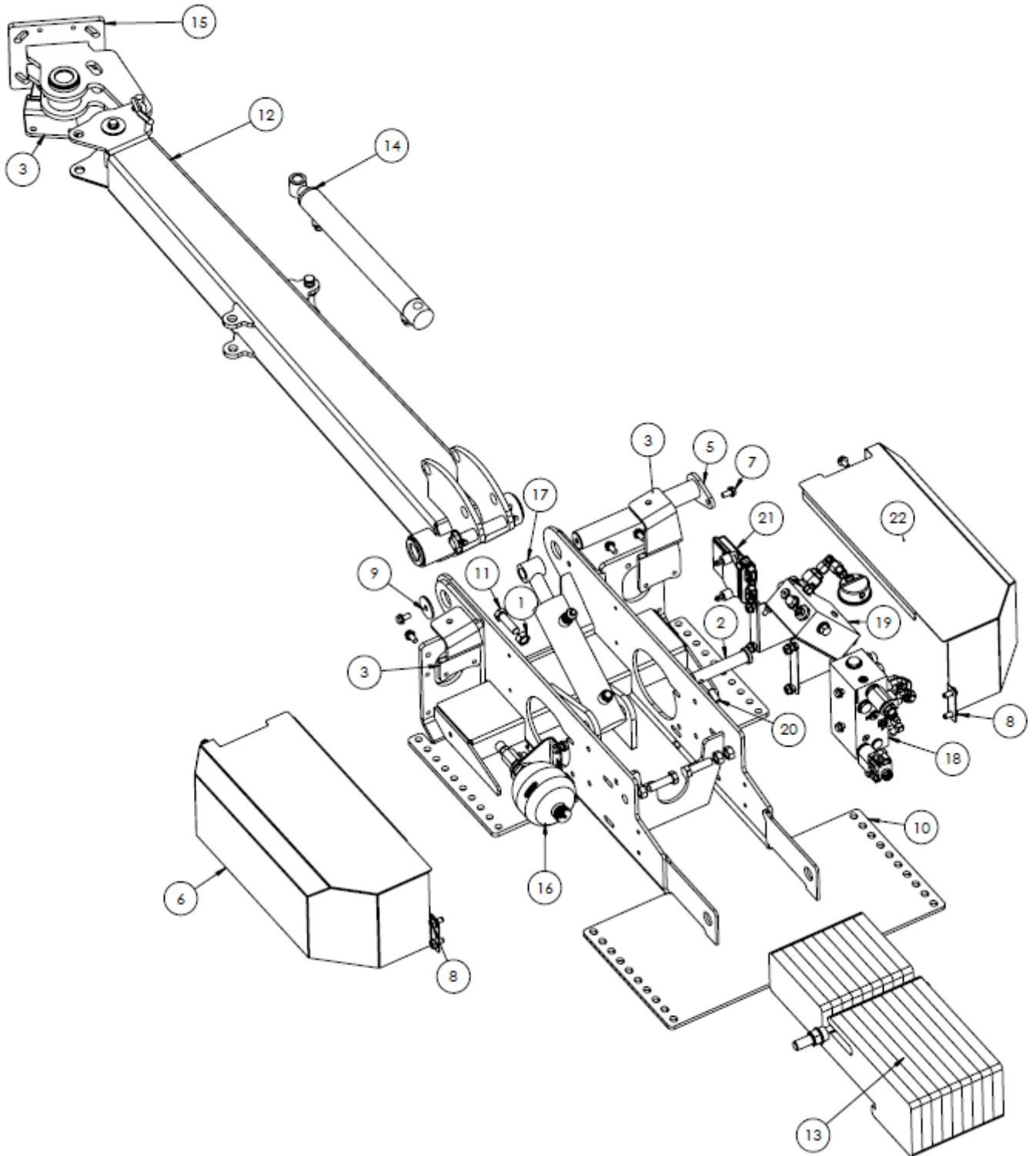
However, in the course of constant development, changes in specification are inevitable. Should you find the information given in this book different to the machine it relates to, please contact the "After Sales Department" for advice.

Key:

LH: Left hand
RH: Right hand

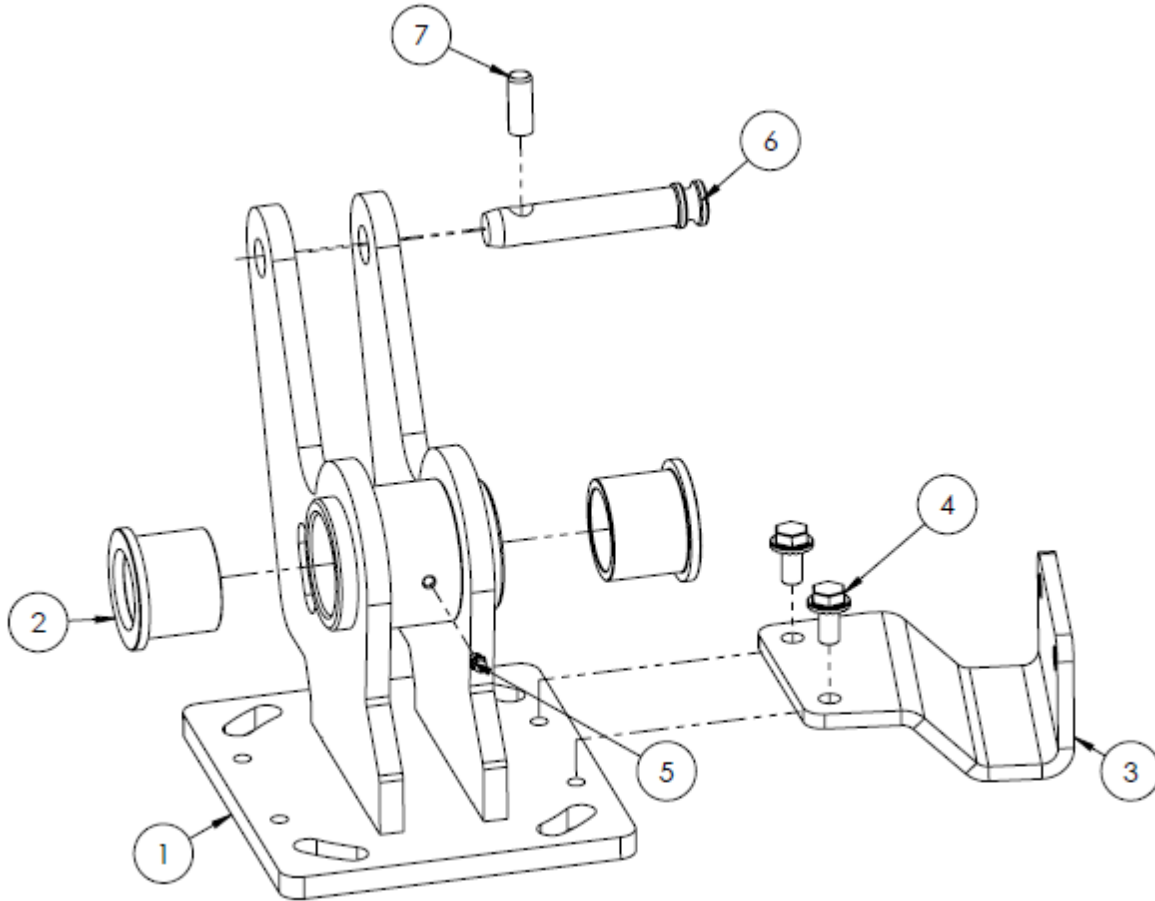
SPARE PARTS

Puma 3303 S & P cpl.



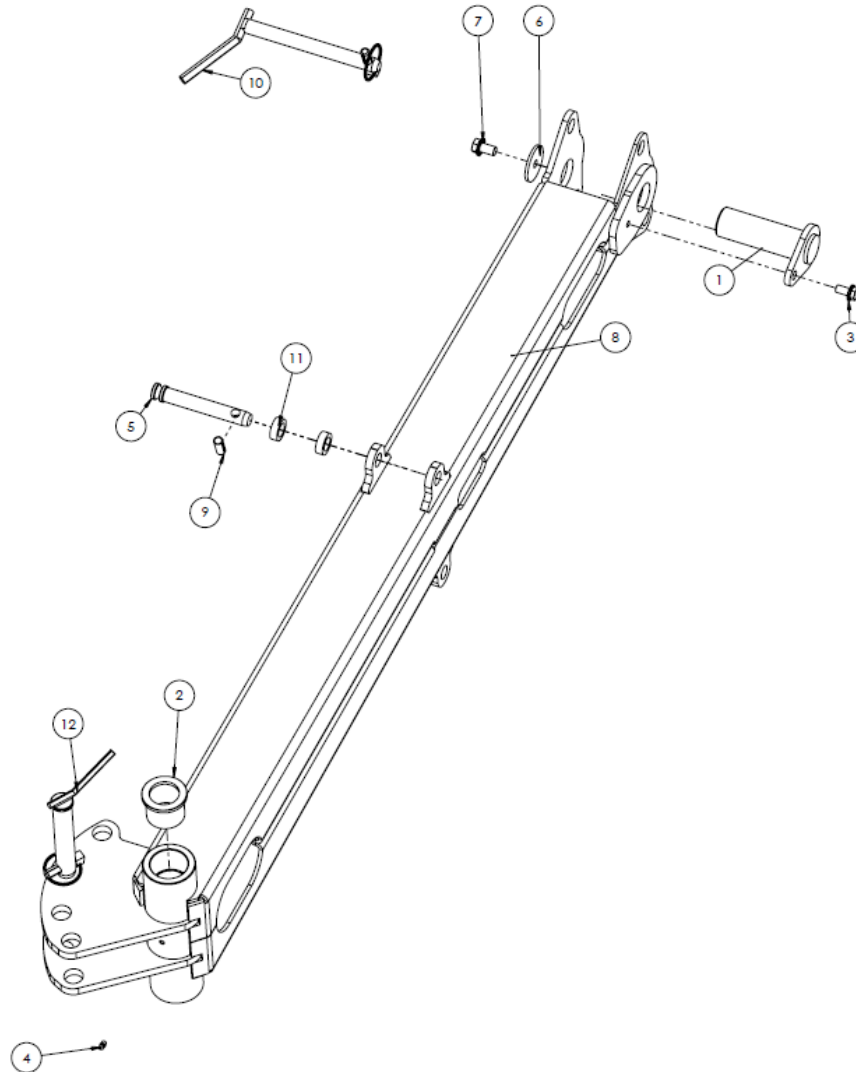
ITEM NO.	PART NUMBER	DESCRIPTION	QTY.
1	2770449	Nut	3
2	8290031	Pin	1
3	ADGT1356	See assambly drawing Puma 3303 S & P	1
4	6702386	Pin	1
6	6702383N	Cover	1
7	6702626	Flangebolt	6
8	8222035	Bolt	8
9	6700699	Washer	1
10	6702382	Main frame	1
11	8222016	Bolt	3
12		Arm cpl. Puma 3303 S & P	1
13	OPTE1290	Counterweigh OPTION	1
14		Cylinder Puma 3303 S & P	1
15		Head bracket cpl. Puma 3303 S & P	1
16		Break back and accumulator Puma 3303 S & P	1
17		Break back and accumulator Puma 3303 S & P	1
18		Valve Puma 3303 P	1
19		Flowdivider Puma 3303 S	1
20	6701549	Clamp	1
21		Valve Puma 3303 P	1
22	6702383Ø	Cover	1

Head crown bracket cpl. Puma 3303 S & P (ADGT1351)



TEM NO.	PART NUMBER	DESCRIPTION	QTY.
1	6702380	Head crown bracket	1
2	8354001	Plast bushing	2
3	6702384.1	Supportleg	1
4	6702626	Flangebolt	2
5	8222027	Greasenipple	1
6	6310202	Top link bolt	1
7	6701549	Dowel pin	1

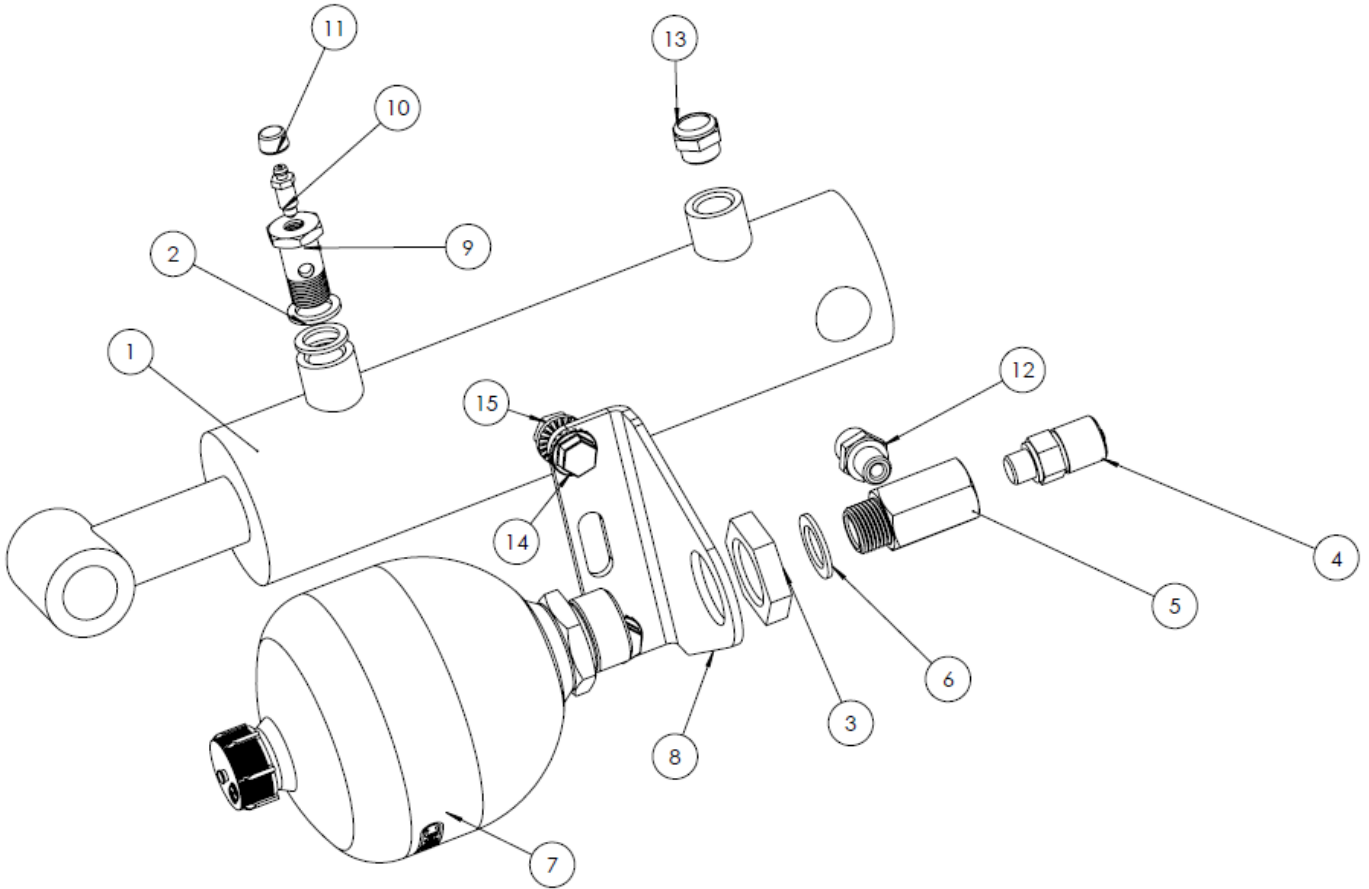
Arm cpl. Puma 3303 S & P (ADGT1352)



ITEM NO.	PART NUMBER	DESCRIPTION	QTY.
1	6702387	Pin	1
2	8354001	Bushing	2
3	6702626	Flangebolt	1
4	8222027	Grease nipple	1
5	6310202A	Top link bolt	1
6	6702699	Washer	1
7	6702617	Flangebolt	1
8	6702381	Arm	1
9	6701549	Dowel pin	1
10	8290051	Bolt with handler and lynch pin	1
11	6702674	Distancewasher	2
12	6706003	Bolt with handler and lynch pin	1

Breakback system cpl. Puma 3303 S & P (ADGT1355)

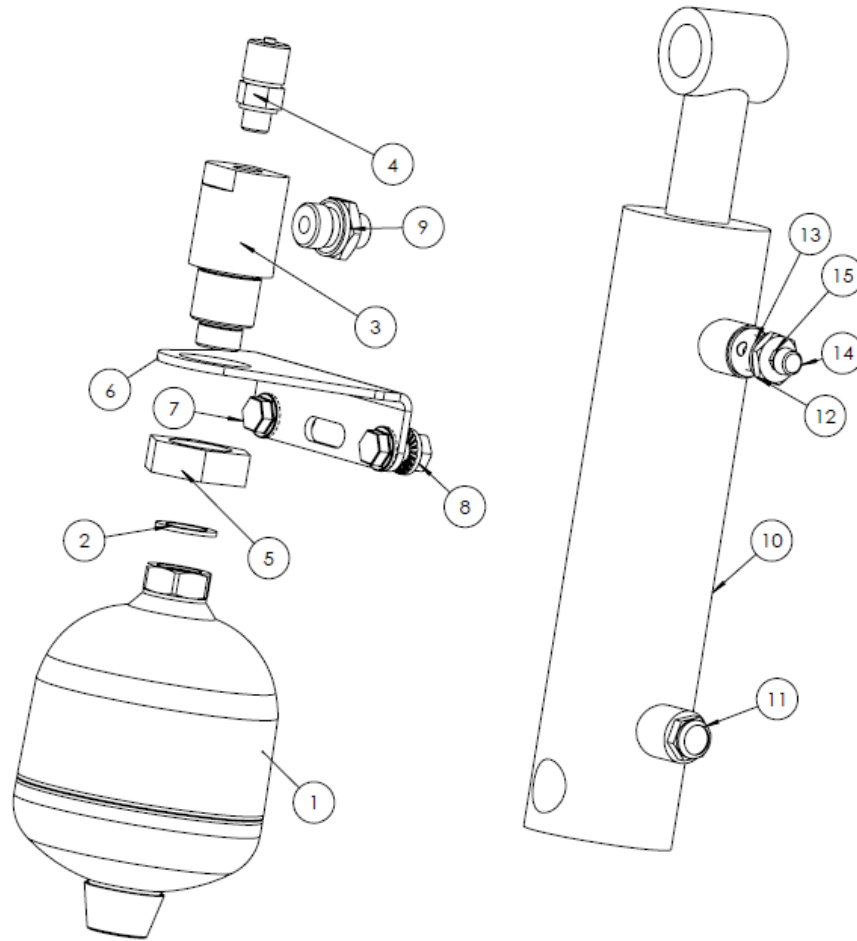
Hydac, round model



TEM NO.	PART NUMBER	DESCRIPTION	QTY.
1	8283017	Cylinder	1
2	6703003	Seals	2
3	6702005	Contra nut	1
4	6703007	Mini mesh	1
5	8290022	Accumulator nipple	1
6	6703010	Seals	1
7	6703005	Accumulator	1
8	6702389	Bracket f/accumulator	1
9	8290024	Banjobolt	1
10	8290023	Breather	1
11	8290025	Cover for breather	1
12	9040118	Nipple	1
13	6703013	Filtreplug	1
14	6702626	Flangebolt	2
15	6702398	Flangenut	2

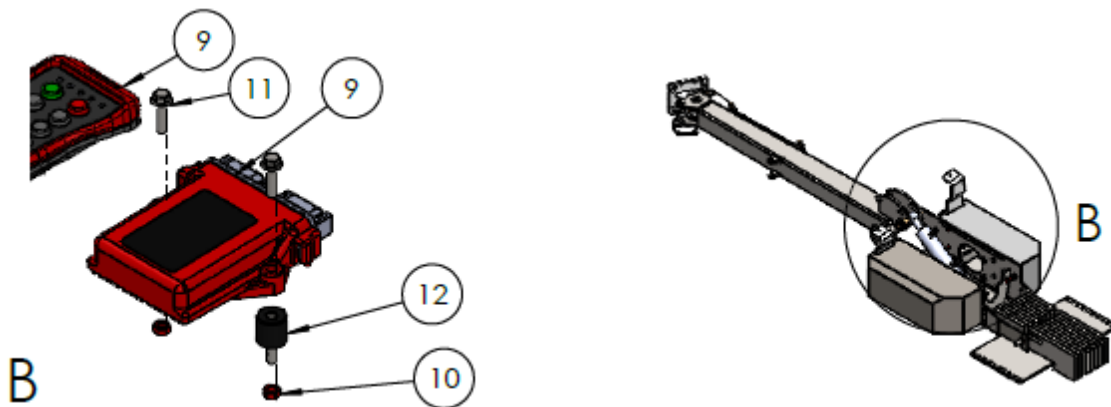
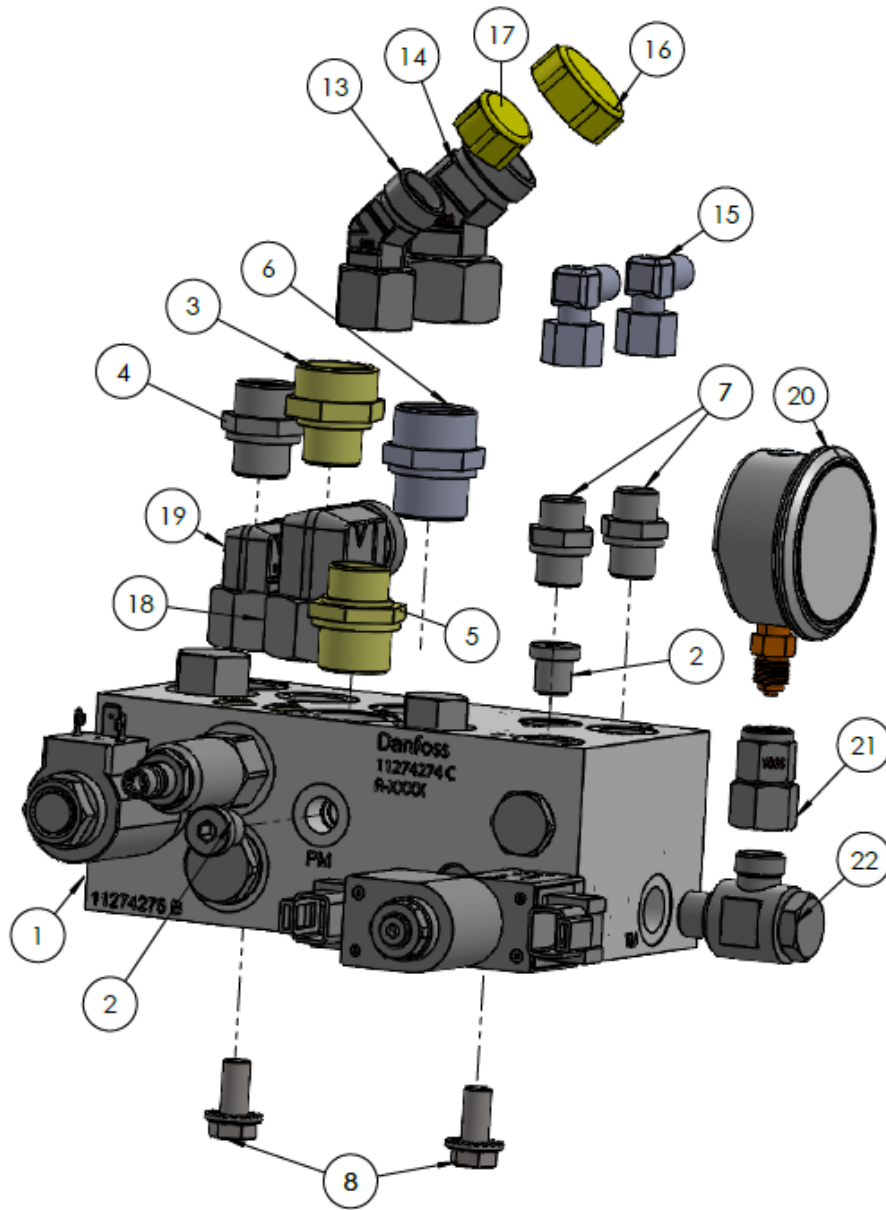
Break back cpl. Puma 2803 S & P

Oval model



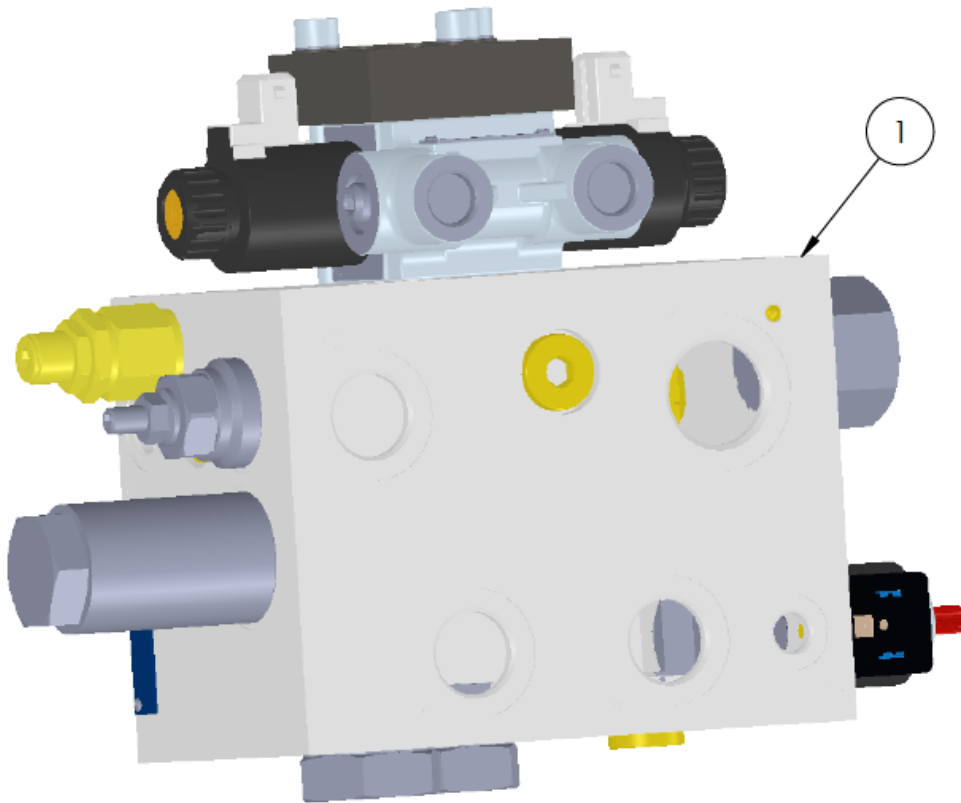
ITEM NO.	PART NUMBER	DESCRIPTION	QTY.
1	6703163	Accumulator	1
2	6703010	Seal	1
3	6703200	Nipple	1
4	6703007	Mini-mesh	1
5	6703201	Contranut	1
6	6702389	Bracket f/accumulator	1
7	6702626	Flangebolt	2
8	6702398	Flangenut	2
9	9020307	Nipple	1
10	8283017	Cylinder	1
11	6703013	Filter plug	1
12	8290024	Banjobolt	1
13	6703003	Seals	2
14	8290025	Cover for breather	1
15	8290023	Breather	1

EL-valve cpl. Puma 3303 P (ADGT1357)



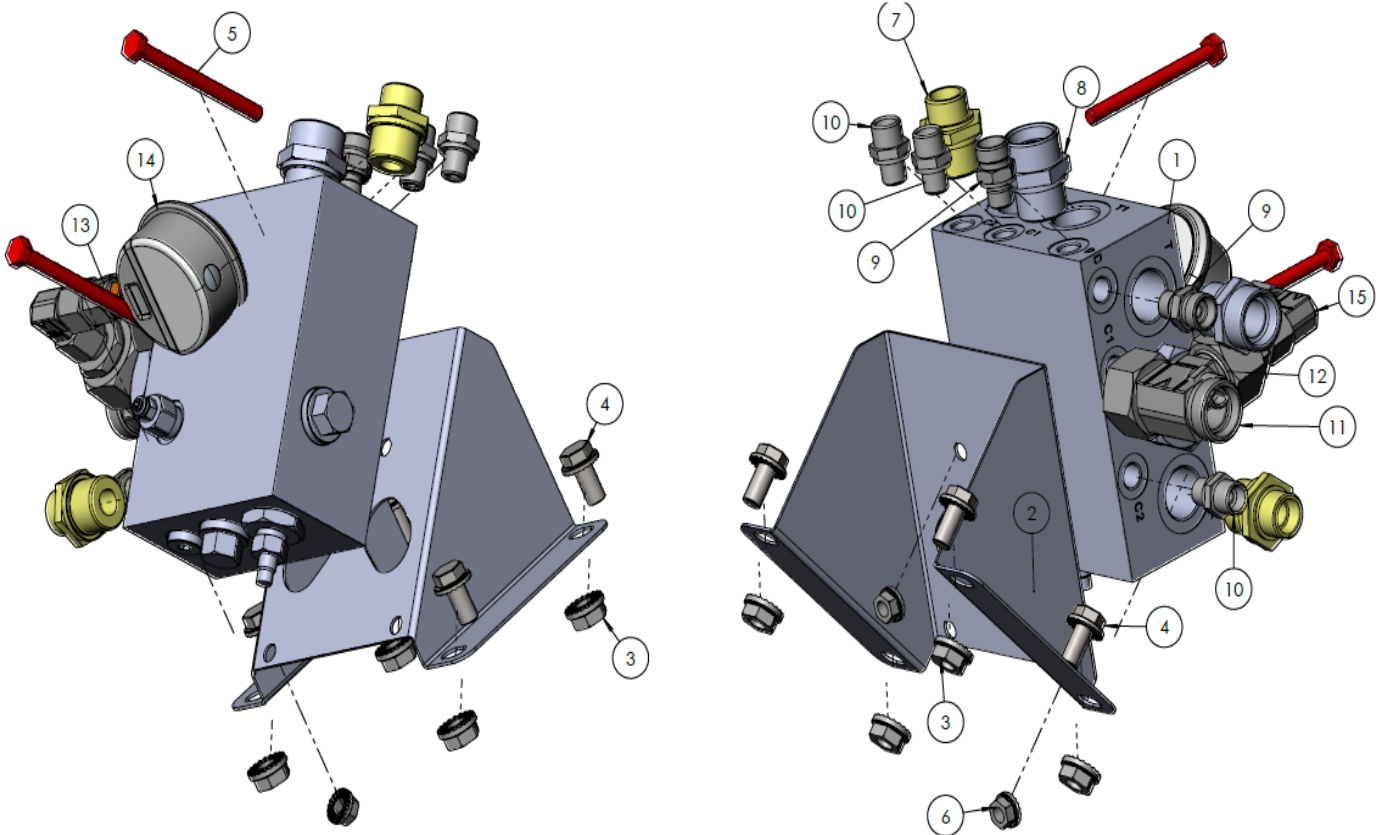
ITEM NO.	PART NUMBER	DESCRIPTION	QTY.
1	6702261	Valve	1
2	81823025	Plug	2
3	9020308	Nipple	1
4	9040116	Nipple	1
5	6702240	Nipple	1
6	9040111	Nipple	1
7	9040120	Nipple	2
8	6702626	Flangebolt	2
9	6702086	Remote control and controller	1
10	8752002	Locknut	2
11	9040206	Bolt	2
NS	8482004	Washer f/pos. 11	2
NS	6702007	Washer f/pos. 11	2
12	6702756	Vibration absorber	2
13	6702754	Nipple	1
14	6702755	Nipple	1
15	81823010	Nipple	2
16	RM12122	Plast plug	1
17	RM12108	Plast plug	1
18	9240194	Nipple	1
19	6702095	Nipple	1
20	6702557	Manometer	1
21	6702993	Manometer nipple	1
22	6703080	Banjo bolt	1
NS		Cable tree	
NS		AAA Alkaline batteries	4

EL-valve cpl. Puma 3303 P



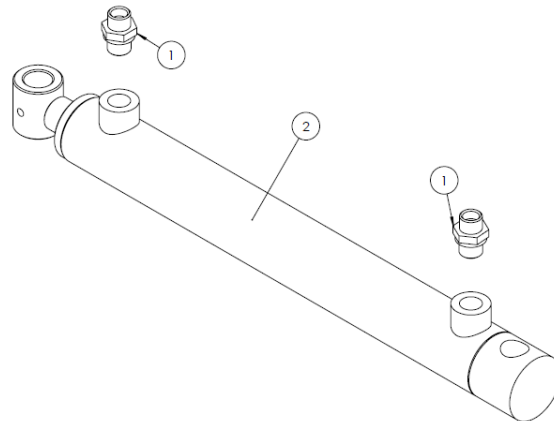
ITEM NO.	PART NUMBER	DESCRIPTION	QTY.
1	8290033	Valve	1
NS	6702203.1	Cable tree	1

Flowdivider cpl. Puma 3303 S (ADGT1358)



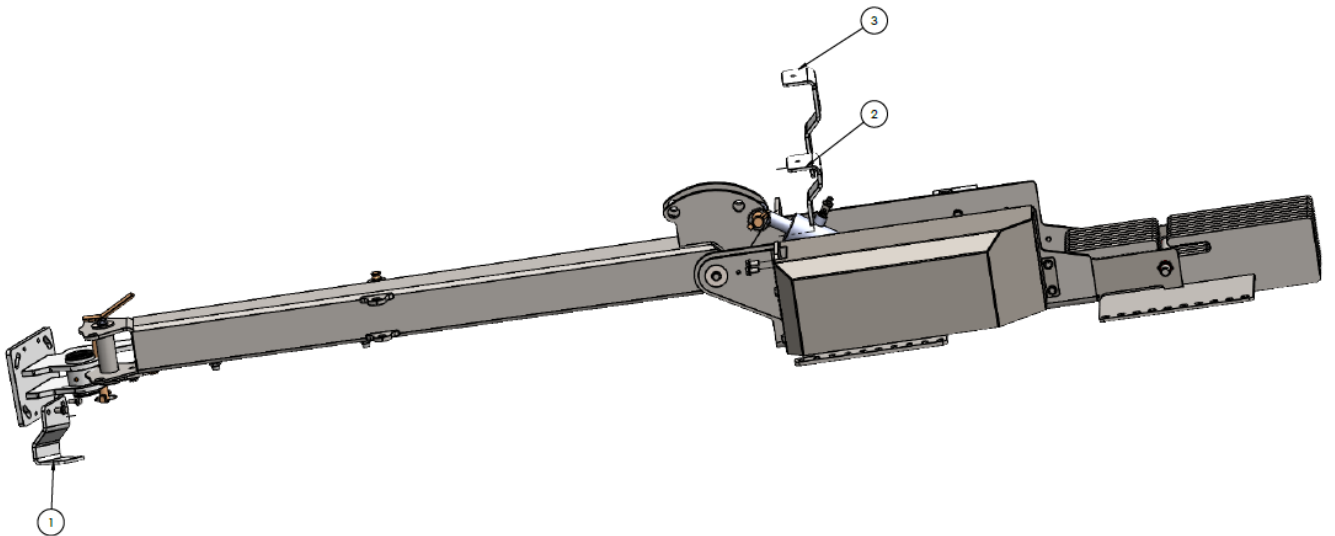
ITEM NO.	PART NUMBER	DESCRIPTION	QTY.
1	6703014-50	Flowdivider	1
2	6702390	Bracket f/flowdivider	1
3	6702398	Flangenut	4
4	6702626	Flangebolt	4
5	931080852	Bolt	2
6	6702627	Flangenut	2
7	6702240	Nipple	2
8	9020111	Nipple	2
9	6702028	Nipple	2
10	9040118	Nipple	4
11	9020306	Nipple	1
12	6702872	Nipple	1
13	6702993	Manometer nipple	1
14	6702557	Manometer	1
15	6701950	Nipple	1

Head angle ram Puma 3303 S & P cpl. (ADGT1356)



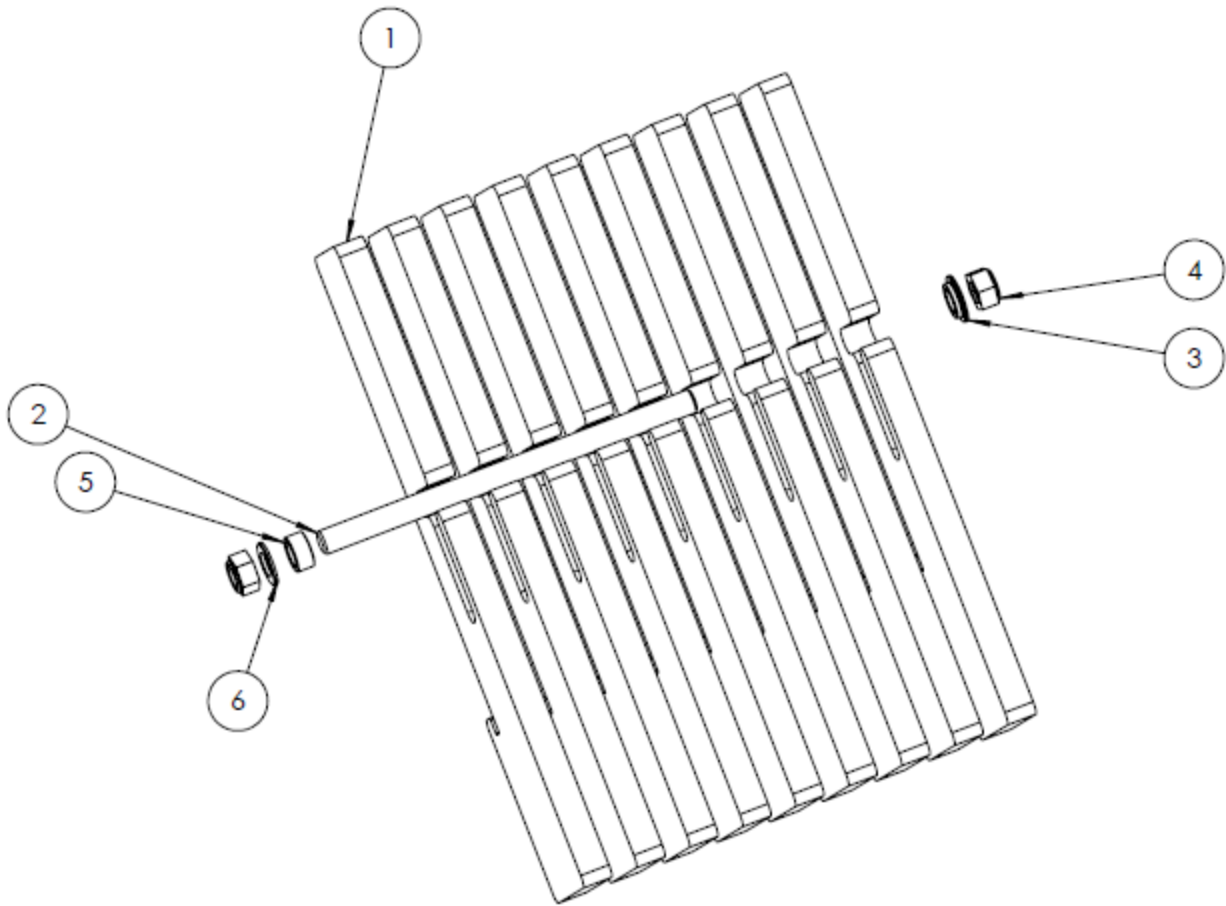
ITEM NO.	PART NUMBER	DESCRIPTION	QTY.
1	9040147	Nipple	2
2	8283007	Cylinder	1

Supportleg cpl. Puma 3303 S & P (ADGT1356)



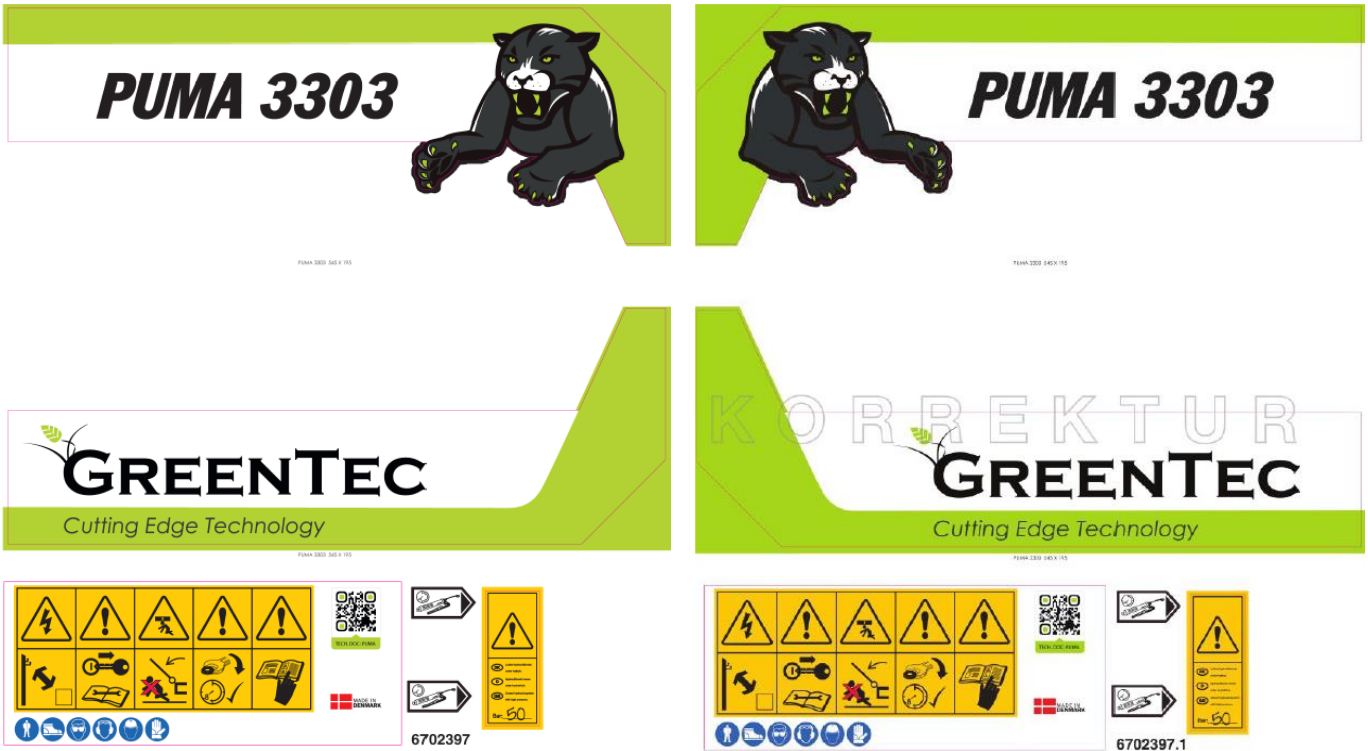
ITEM NO.	PART NUMBER	DESCRIPTION	QTY.
1	6702384.1	Support leg bracket	1
2	6702384.2	Support leg short	1
3	6702384.3	Support leg long	1

Counterweigh cpl. Puma 3303 S & P (OPTE1290) OPTION



TEM NO.	PART NUMBER	DESCRIPTION	QTY.
1	8351010	Counterweight	9
2	6702799	Threaded rod	1
3	6702797	Special washer	1
4	9040182	Lock nut	2
5	6702798	Bushing	2
6	9040183	Washer	1

Stickers



NO.	PART NUMBER	DESCRIPTION	QTY.
1	6702397	Decal – Puma 3303 Right	1
2	6702397.1	Decal – Puma 3303 Left	1



Merkurvej 25 | DK-6000 Kolding | Tel.: +45 75 55 36 44 | info@GreenTec.eu | www.GreenTec.eu

Cutting Edge Technology