

MULTI CARRIER PUMA 3303 TELE



PARTS

EN

1th Edition 2024

 **GREENTEC**

Cutting Edge Technology



IMPORTANT INFORMATION

GreenTec Puma 3303 Tele

PARTS 1thEdition – 2024

NOTICE: Please ensure that this manual is handed to the operator before using the machine for the first time. If the machine is resold, the Parts list must be given to the new owner!

The information contained in this Parts list is correct at the time of publication. However, in the course of constant development, changes in specification are inevitable. Should you find the information given in this book different to the machine it relates to please contact the “After Sales Department” for advice.



Merkurvej 25
DK 6000 Kolding
Denmark
Tel: +45 75553644
Fax: +45 75554243
Email: info@greentec.eu
web: www.greentec.eu

CONTENTS

| | |
|--|----------|
| CONTENTS | 4 |
| INTRODUCTION | 5 |
| USEFUL INFORMATION | 6 |
| ORDERING PARTS | 7 |
| SPARE PARTS | 8 |
| Puma 3303 Tele cpl. | 8 |
| Main frame cpl. Puma 3303 Tele (ADGT1390) | 9 |
| Arm cpl. Puma 3303 Tele (ADGT1404)..... | 11 |
| Cylinder Puma 3303 Tele telescop (ADGT1480) | 13 |
| Cylinder Puma 3303 Tele (ADGT1354)..... | 13 |
| Head bracket cpl. Puma 3303 Tele (ADGT1409) | 14 |
| Break back cpl. Puma 3303 Tele (ADGT1394) | 15 |
| Valve cpl. Puma 3303 Tele (ADGT1396) | 16 |
| Counterweight Puma 3303 Tele 103kg OPTE4294 (option) | 18 |
| Stickers | 19 |

INTRODUCTION

Dear customer!

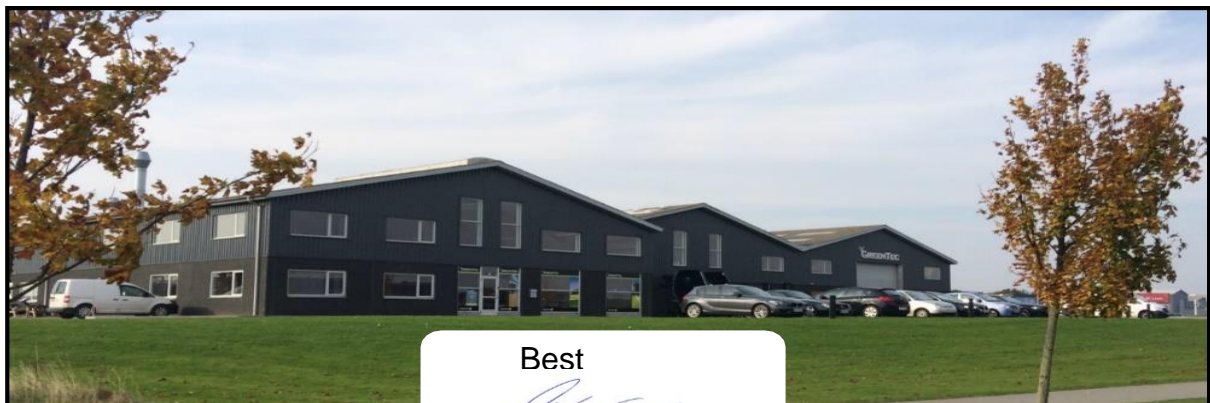
Your new GreenTec machine is constructed with background in more than 20 years' experience with tractor-mounted machines to maintenance of green areas. This machine is produced by the latest technology and recognized safety regulations, standards and regulations.

We want to make a product available in such a way, that neither the use of the machine during transportation or maintenance of the machine causes any damage or misunderstandings.

This parts list contains information that are important and useful for maintaining your GreenTec machine's reliability, dependability and value.

You are welcome to visit our website www.greentec.eu - where the login via the dealer's access gives you the latest updates on instructional and part books on our entire product range.

We hope you will be pleased with your new GreenTec machine.



Best



John Christensen
SalesDirector GreenTec

GreenTec's vision is to develop and sell quality machines for the maintenance of green areas, including in agriculture, in industry, at airports and in the local sector. Through innovative product development, we will strive to become a leader in our field.

All machines are developed in a simple and functional design in close cooperation with dealers and end users. It is our goal to cover every need in the market segment with preferably two different solutions. In-depth analysis of requirements and serious advice to the customer is offered the best solution, where individual needs can be met through the modularity of the product program.

Our goal is also to offer the best possible after sales service, and a quick and efficient spare parts supply.

USEFUL INFORMATION

Before using the machine for the first time, it's the seller's responsibility that the buyer is given this parts list. If the machine is resold, the parts list must be transferred to the new owner.

Please fill out the list below to ensure that the necessary information is at hand when ordering spare parts etc.

| | |
|---------------|----------------------|
| Serial No | <input type="text"/> |
| Delivery date | <input type="text"/> |
| Dealer | <input type="text"/> |
| | <input type="text"/> |
| | <input type="text"/> |
| Tel/ fax | <input type="text"/> |



Merkurvej 25
DK 6000 Kolding
Danmark
Tel: +45 75553644
Fax: +45 75554243
Email: info@greentec.eu
web: www.greentec.eu
Opening hours: Mon-Fri 8-16

ORDERING PARTS

When ordering parts please refer to your parts list to help your dealer with your order.

- Part number and quantity
- Description
- Machine model number
- Serial number of the machine
- Delivery instructions (e.g. next day).

Delivery is normally via carrier direct to your dealer. Please check with your dealer for stock availability and arrangement of dispatch. Ensure you or your dealer has sufficient cover for parts requirement outside factory hours.

Important Note:

The information contained in this manual is correct at the time of publication.

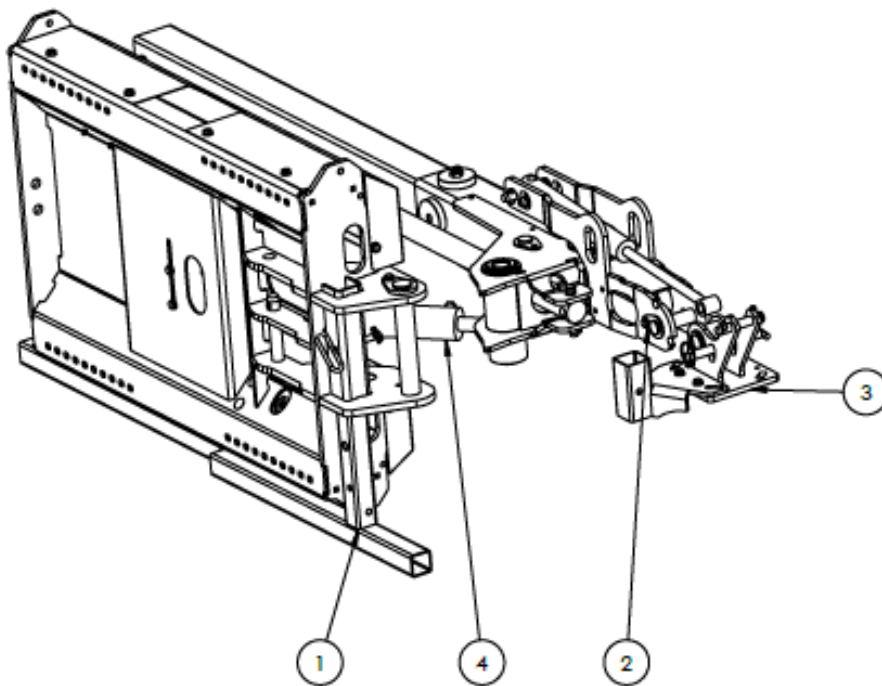
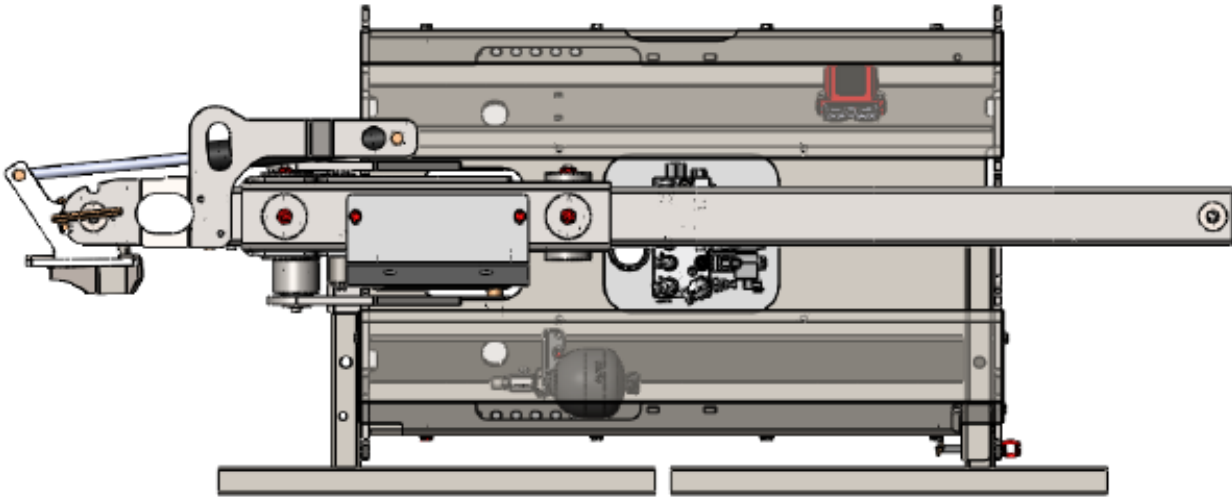
However, in the course of constant development, changes in specification are inevitable. Should you find the information given in this book different to the machine it relates to, please contact the "After Sales Department" for advice.

Key:

LH: Left hand
RH: Right hand

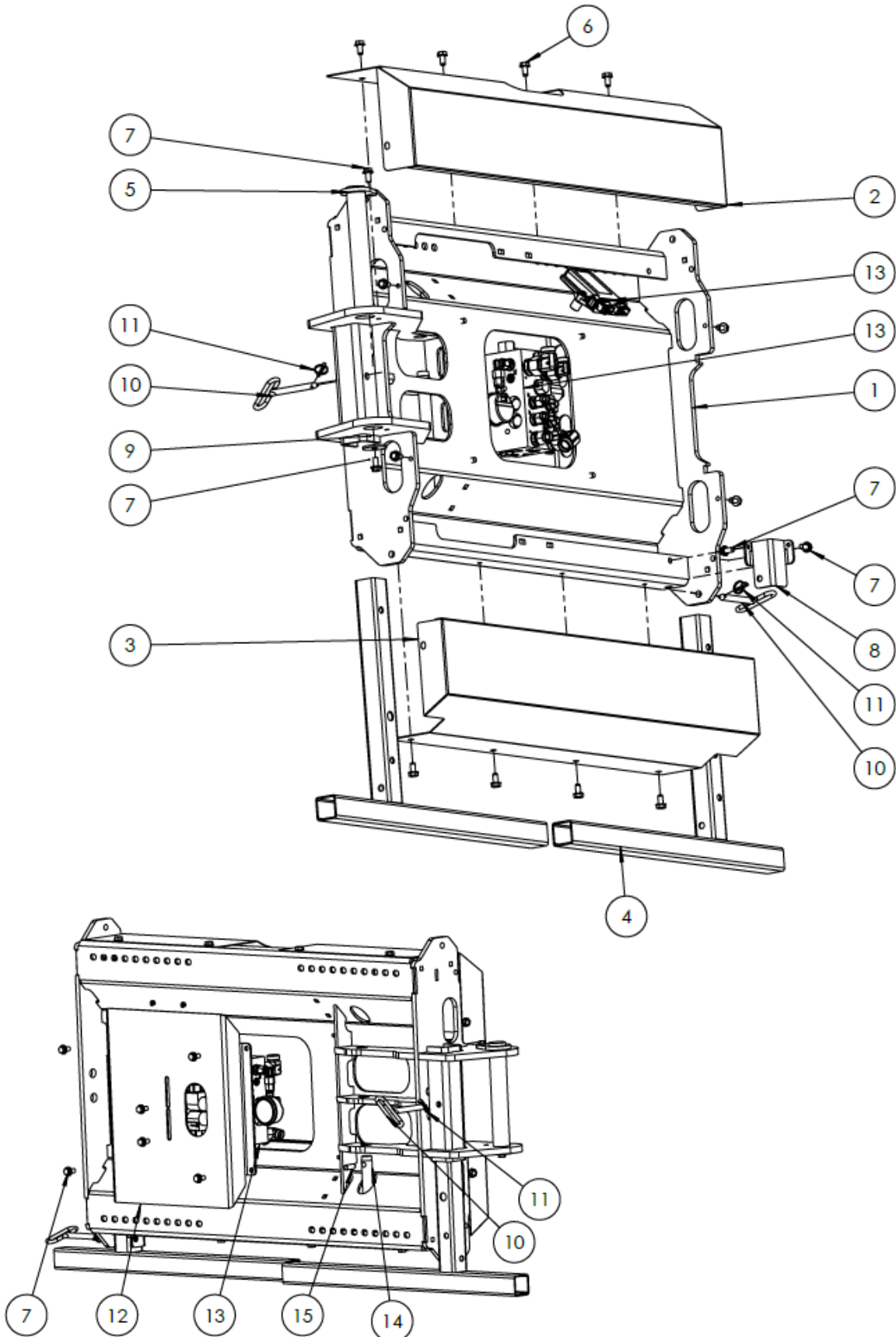
SPARE PARTS

Puma 3303 Tele cpl.



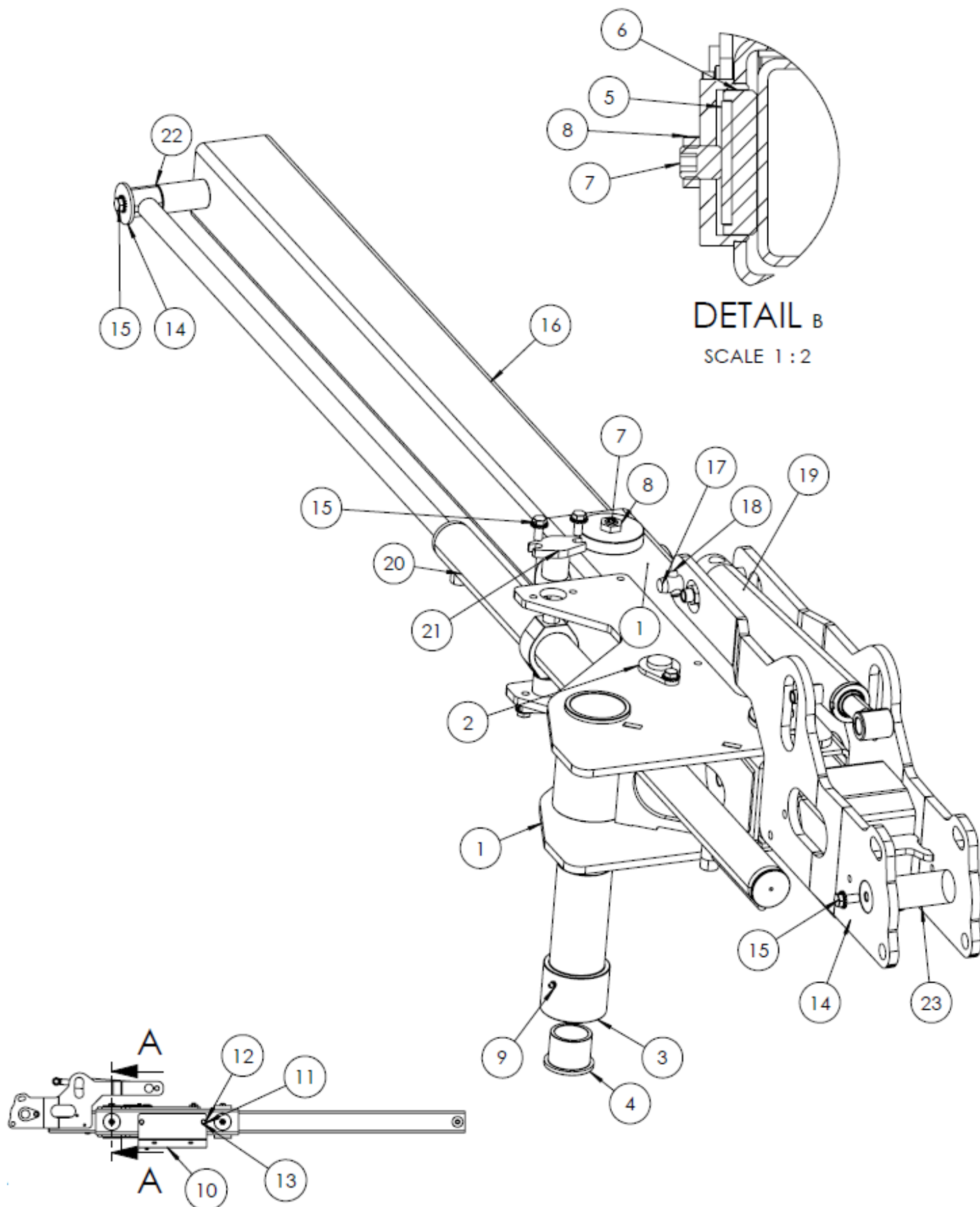
| ITEM NO. | PART NUMBER | DESCRIPTION | QTY. |
|----------|-------------|----------------------------|------|
| 1 | | Main frame cpl. | 1 |
| 2 | | Arm cpl. | 1 |
| 3 | | Head bracket cpl. | 1 |
| 4 | | Break back and accumulator | 1 |

Main frame cpl. Puma 3303 Tele (ADGT1390)



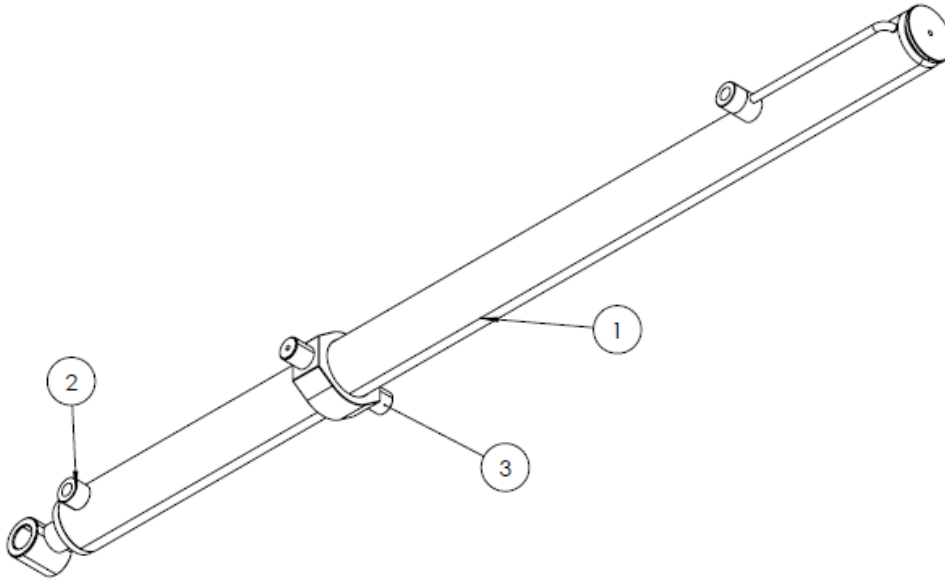
| ITEM NO. | PART NUMBER | DESCRIPTION | QTY. |
|----------|-------------|---|------|
| 1 | 6702801 | Main frame | 1 |
| 2 | 6702802 | Cover bottom right model/top left model | 1 |
| 3 | 6702803 | Cover bottom left model/top right model | 1 |
| 4 | 6702727 | Supportleg cpl. | 2 |
| 5 | 6702724 | Pear pin | 1 |
| 6 | 8222035 | Bolt | 12 |
| 7 | 6702626 | Flangebolt | 10 |
| 8 | 6702726 | Bracket f/support leg | 1 |
| 9 | 6702699 | Washer | 1 |
| 10 | 9040072 | Bolt with handler | 2 |
| 11 | 6706005 | Lynch pin | 2 |
| 12 | 6702868 | Bracket f/valve | 1 |
| 13 | | Valve | 1 |
| 14 | 6703079 | Top link bolt | 1 |
| 15 | 6701549 | Dowel pin | 1 |

Arm cpl. Puma 3303 Tele (ADGT1404)



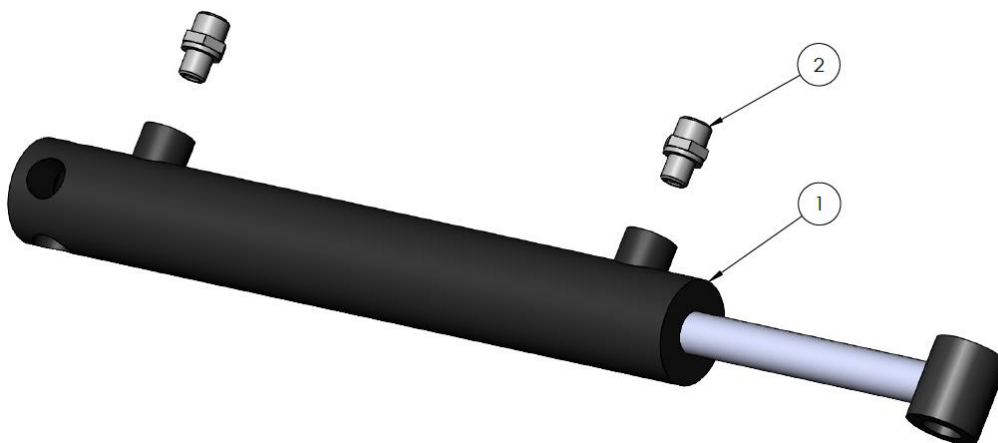
| ITEM NO. | PART NUMBER | DESCRIPTION | QTY. |
|----------|-------------|---------------------|------|
| 1 | 6702945 | Arm | 1 |
| 2 | 6702870 | Pear pin | 1 |
| 3 | 6702807 | Bushing | 1 |
| 4 | 8354001 | Plast bushing | 2 |
| 5 | 6702809 | Plate f/wearpads | 8 |
| 6 | 6702808 | Wearpads | 8 |
| 7 | 6702862 | Pinol bolt | 4 |
| 8 | 6701712 | Contra nut | 4 |
| 9 | 8222027 | Greasenipple | 1 |
| 10 | 6702866 | Hose cover | 1 |
| 11 | 8222024 | Washer | 4 |
| 12 | 8222003 | Washer | 4 |
| 13 | 8142002 | Bolt | 4 |
| 14 | 6702699 | Washer | 4 |
| 15 | 6702626 | Flangebolt | 10 |
| 16 | 6702944 | Telearm | 1 |
| 17 | 6310202A | Top link bolt | 1 |
| 18 | 6701549 | Dowel pin | 1 |
| 19 | | Cylinder f/kip | 1 |
| 20 | | Cylinder f/telescop | 1 |
| 21 | 6703073 | Holder f/cylinder | 2 |
| 22 | 6702806 | Pin | 1 |
| 23 | 6702387 | Pear pin | 1 |

Cylinder Puma 3303 Tele telescop (ADGT1480)



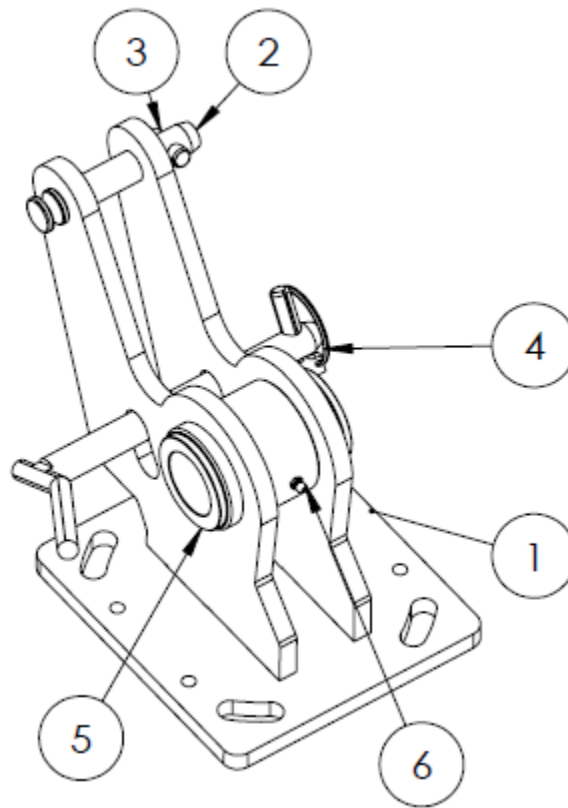
| ITEM NO. | PART NUMBER | DESCRIPTION | QTY. |
|----------|-------------|---------------------|------|
| 1 | 6703075 | Cylinder f/telescop | 1 |
| 2 | 9040118 | Nipple | 2 |
| 3 | 6703073 | Holder f/cylinder | 2 |

Cylinder Puma 3303 Tele (ADGT1354)



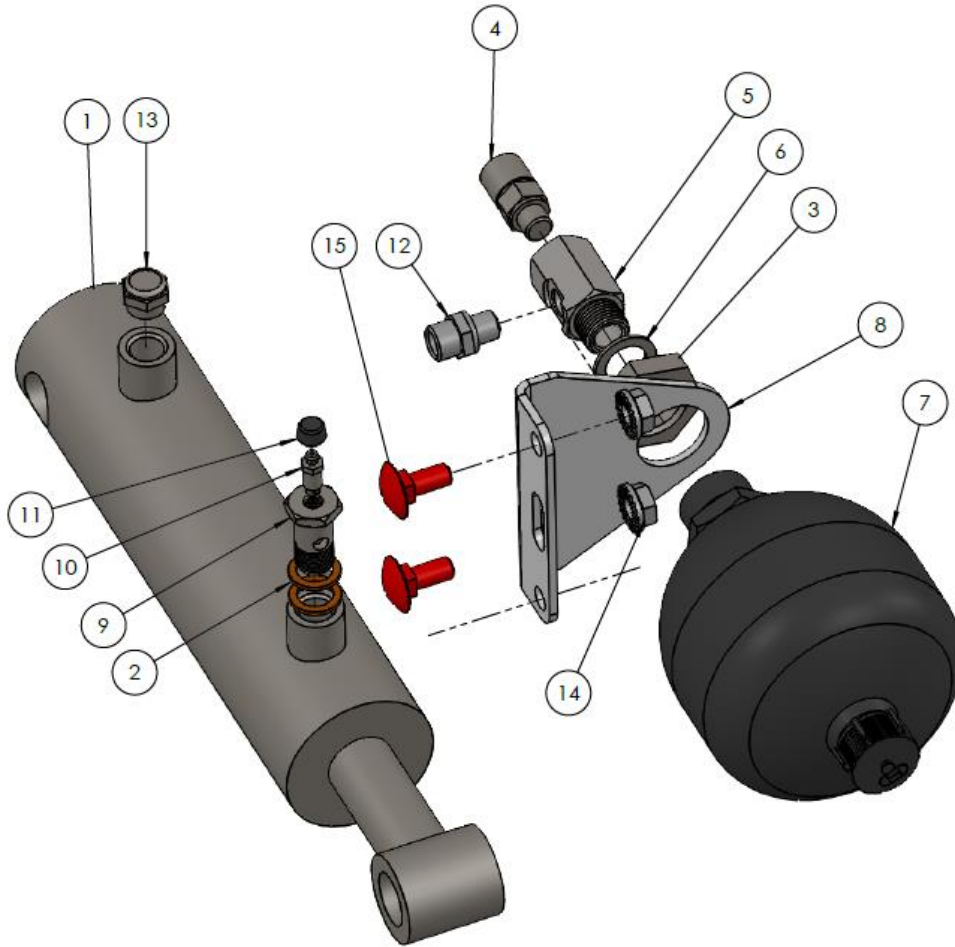
| TEM NO. | PART NUMBER | DESCRIPTION | QTY. |
|---------|-------------|-------------|------|
| 1 | 8283007 | Cylinder | 1 |
| 2 | 9040147 | Nipple | 2 |

Head bracket cpl. Puma 3303 Tele (ADGT1409)



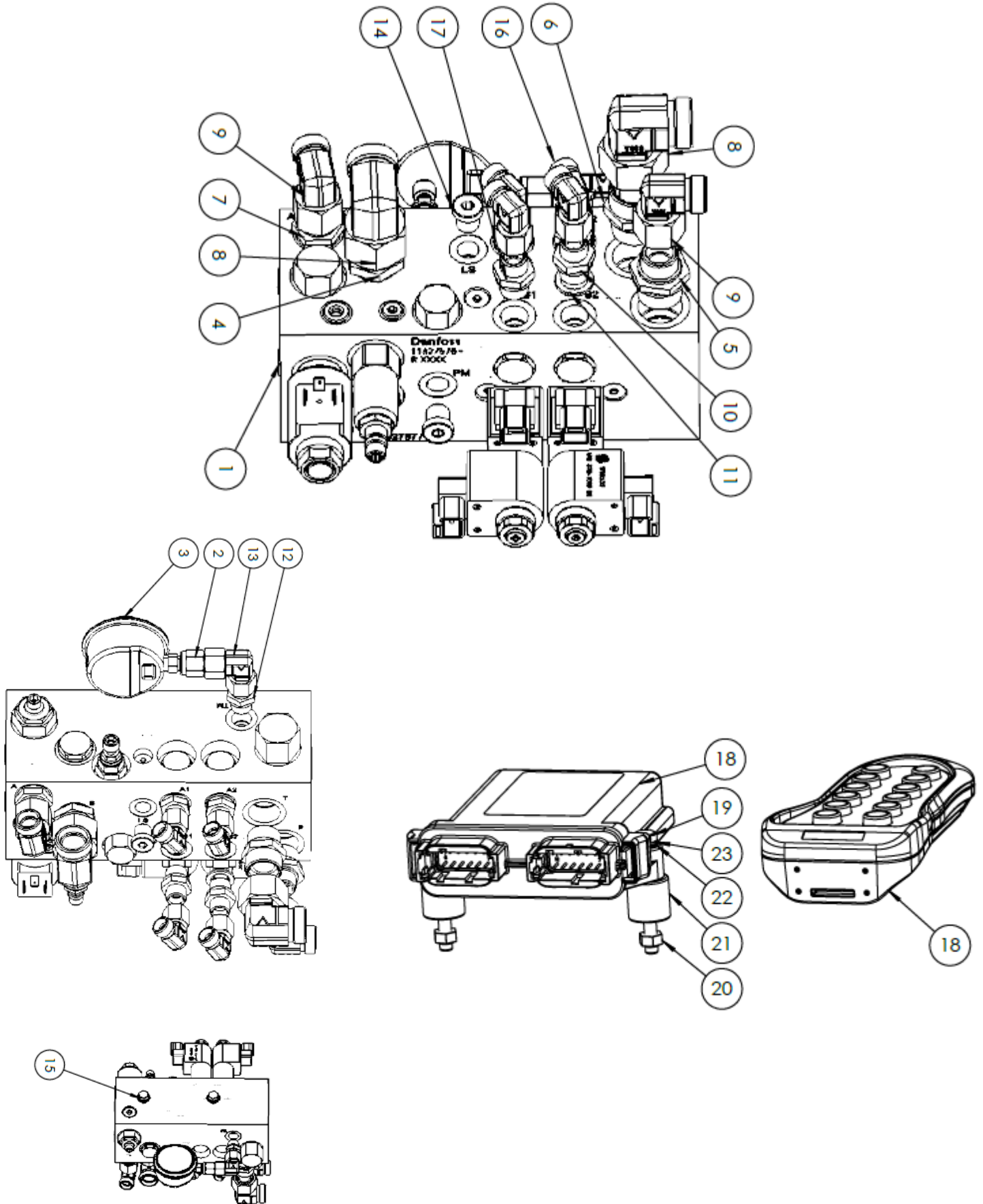
| ITEM NO. | PART NUMBER | DESCRIPTION | QTY. |
|----------|-------------|--------------------|------|
| 1 | 6702380 | Head crowd bracket | 1 |
| 2 | 6310202 | Top link bolt | 1 |
| 3 | 6701549 | Dowel pin | 1 |
| 4 | 8290051 | Liftbolt | 1 |
| 5 | 8354001 | Plast bushing | 2 |
| 6 | 8222027 | Greasenipple | 1 |

Break back cpl. Puma 3303 Tele (ADGT1394)



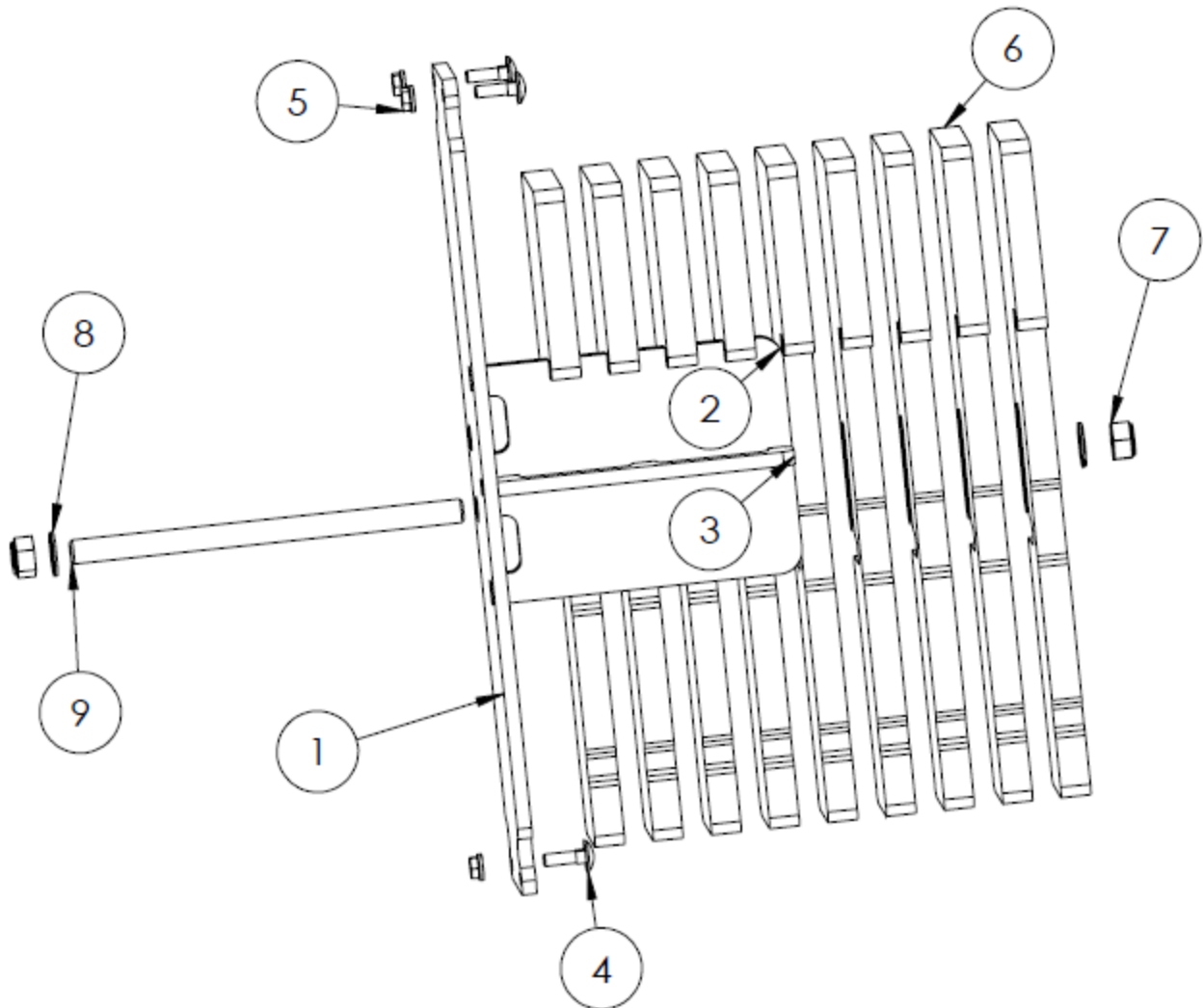
| ITEM NO. | PART NUMBER | DESCRIPTION | QTY. |
|----------|-------------|-----------------------|------|
| 1 | 8283017 | Cylinder | 1 |
| 2 | 6703003 | Seals | 2 |
| 3 | 6702005 | Contranut | 1 |
| 4 | 6703007 | Mini-mesh | 1 |
| 5 | 8290022 | Nipple | 1 |
| 6 | 6703010 | Seal | 1 |
| 7 | 6703005 | Accumulator | 1 |
| 8 | 6702389 | Bracket f/accumulator | 1 |
| 9 | 8290024 | Banjobolt | 1 |
| 10 | 8290023 | Breather | 1 |
| 11 | 8290025 | Cover for breather | 1 |
| 12 | 9040118 | Nipple | 1 |
| 13 | 6703013 | Filter plug | 1 |
| 14 | 6702398 | Flangenut | 2 |
| 15 | 8222022 | Bolt | 2 |

Valve cpl. Puma 3303 Tele (ADGT1396)



| ITEM NO. | PART NUMBER | DESCRIPTION | QTY. |
|----------|-------------|-------------------------------|------|
| 1 | 6703078 | Valve | 1 |
| 2 | 6702993 | Manometer nipple | 1 |
| 3 | 6702557 | Manometer | 1 |
| 4 | 9020308 | Nipple | 1 |
| 5 | 6702240 | Nipple | 1 |
| 6 | 9020111 | Nipple | 1 |
| 7 | 9040116 | Nipple | 1 |
| 8 | 9040194 | Nipple | 2 |
| 9 | 6702095 | Nipple | 2 |
| 10 | 9040147 | Nipple | 2 |
| 11 | 6703003 | Bounded seals | 2 |
| 12 | 9040117 | Nipple | 1 |
| 13 | 6701950 | Nipple | 1 |
| 14 | 81823025 | Plug | 2 |
| 15 | 6702626 | Flangebolt | 2 |
| 16 | 6701949 | Nipple | 4 |
| 17 | 9040120 | Nipple | 2 |
| 18 | 6702086 | Remote control and controller | 1 |
| 19 | 9040206 | Bolt | 2 |
| 20 | 8752002 | Lock nut | 2 |
| 21 | 6702756 | Vibration absorber | 2 |
| 22 | 8482004 | Washer | 2 |
| 23 | 6702007 | Washer | 2 |
| NS | 6702815 | Cable tree | 1 |
| NS | | AAA alkaline batteries | 4 |

Counterweight Puma 3303 Tele 103kg OPTE4294 (option)



| ITEM NO. | PART NUMBER | DESCRIPTION | QTY. |
|----------|-------------|-----------------------|------|
| 1 | 6702729.1 | Plate f/counterweight | 1 |
| 2 | 6702729.2 | Mountplate | 1 |
| 3 | 6702729.3 | Supportplate | 1 |
| 4 | 6702800 | Bolt | 3 |
| 5 | 6702398 | Flangebolt | 3 |
| 6 | 8351010 | Counterweight | 9 |
| 7 | 9040182 | Lock nut | 2 |
| 8 | 9040183 | Washer | 2 |
| 9 | 6702799 | Threaded rod | 1 |

Stickers

PUMA 3303 TELE

PUMA 3303 130 628



KORREKTUR



PUMA 3303 TELE

PUMA 3303 130 628



KORREKTUR



| NO. | PART NUMBER | DESCRIPTION | QTY. |
|-----|-------------|------------------------------------|------|
| 1 | 6703059 | Stickers kits Puma 3303 Tele Right | 1 |
| 2 | 6703059.1 | Stickers kits Puma 3303 Tele Left | 1 |



Merkurvej 25 | DK-6000 Kolding | Tel.: +45 75 55 36 44 | info@GreenTec.eu | www.GreenTec.eu

Cutting Edge Technology