

# MULTI CARRIER PUMA 3303 TELE



**PARTS**

**EN**

1<sup>th</sup> Edition 2024

 **GREENTEC**

Cutting Edge Technology





**IMPORTANT INFORMATION****GreenTec Puma 3303 Tele****PARTS****1<sup>th</sup>Edition – 2024**

**NOTICE:** Please ensure that this manual is handed to the operator before using the machine for the first time. If the machine is resold, the Parts list must be given to the new owner!

The information contained in this Parts list is correct at the time of publication. However, in the course of constant development, changes in specification are inevitable. Should you find the information given in this book different to the machine it relates to please contact the “After Sales Department” for advice.



Merkurvej 25  
DK 6000 Kolding  
Denmark  
Tel: +45 75553644  
Fax: +45 75554243  
Email: [info@greentec.eu](mailto:info@greentec.eu)  
web: [www.greentec.eu](http://www.greentec.eu)

---

## CONTENTS

<b>CONTENTS</b> .....	<b>4</b>
<b>INTRODUCTION</b> .....	<b>5</b>
<b>USEFUL INFORMATION</b> .....	<b>6</b>
<b>ORDERING PARTS</b> .....	<b>7</b>
<b>SPARE PARTS</b> .....	<b>8</b>
Puma 3303 Tele cpl. ....	8
Main frame cpl. Puma 3303 Tele (ADGT1390) .....	9
Arm cpl. Puma 3303 Tele (ADGT1404).....	11
Cylinder Puma 3303 Tele telescop (ADGT1430) .....	13
Cylinder Puma 3303 Tele (ADGT1354).....	13
Head bracket cpl. Puma 3303 Tele (ADGT1409) .....	14
Break back cpl. Puma 3303 Tele (ADGT1394) .....	15
Valve cpl. Puma 3303 Tele (ADGT1396) .....	16
Counterweight Puma 3303 Tele 103kg OPTE4294 (option) .....	18
Stickers .....	19

## INTRODUCTION

Dear customer!

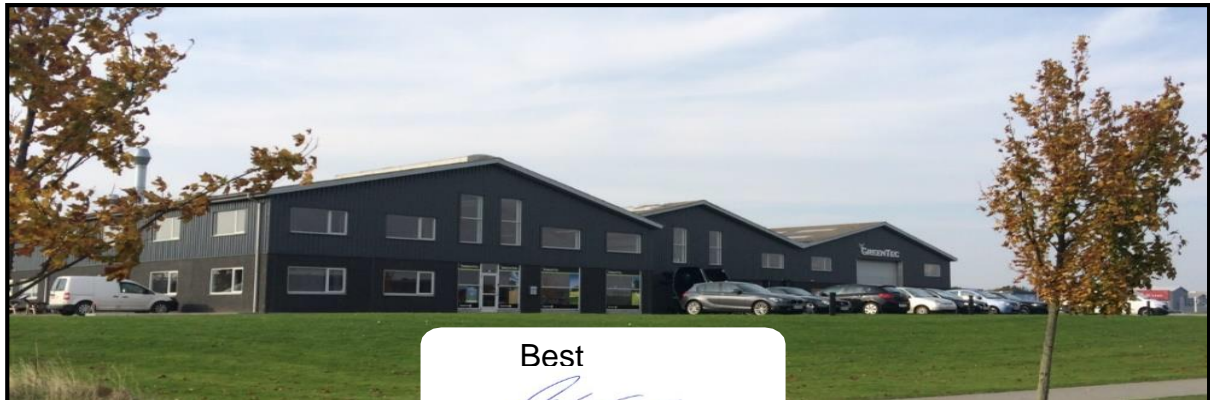
Your new GreenTec machine is constructed with background in more than 20 years' experience with tractor-mounted machines to maintenance of green areas. This machine is produced by the latest technology and recognized safety regulations, standards and regulations.

We want to make a product available in such a way, that neither the use of the machine during transportation or maintenance of the machine causes any damage or misunderstandings.

This parts list contains information that are important and useful for maintaining your GreenTec machine's reliability, dependability and value.

You are welcome to visit our website [www.greentec.eu](http://www.greentec.eu) - where the login via the dealer's access gives you the latest updates on instructional and part books on our entire product range.

We hope you will be pleased with your new GreenTec machine.



Best

A handwritten signature in blue ink, appearing to read "John Christensen".

John Christensen  
SalesDirector GreenTec

GreenTec's vision is to develop and sell quality machines for the maintenance of green areas, including in agriculture, in industry, at airports and in the local sector. Through innovative product development, we will strive to become a leader in our field.

All machines are developed in a simple and functional design in close cooperation with dealers and end users. It is our goal to cover every need in the market segment with preferably two different solutions. In-depth analysis of requirements and serious advice to the customer is offered the best solution, where individual needs can be met through the modularity of the product program.

Our goal is also to offer the best possible after sales service, and a quick and efficient spare parts supply.

## USEFUL INFORMATION

Before using the machine for the first time, it's the seller's responsibility that the buyer is given this parts list. If the machine is resold, the parts list must be transferred to the new owner.

Please fill out the list below to ensure that the necessary information is at hand when ordering spare parts etc.

Serial No	<input type="text"/>
Delivery date	<input type="text"/>
Dealer	<input type="text"/>
	<input type="text"/>
	<input type="text"/>
Tel/ fax	<input type="text"/>



Merkurvej 25  
DK 6000 Kolding  
Danmark  
Tel: +45 75553644  
Fax: +45 75554243  
Email: [info@greentec.eu](mailto:info@greentec.eu)  
web: [www.greentec.eu](http://www.greentec.eu)  
Opening hours: Mon-Fri 8-16

## ORDERING PARTS

When ordering parts please refer to your parts list to help your dealer with your order.

- Part number and quantity
- Description
- Machine model number
- Serial number of the machine
- Delivery instructions (e.g. next day).

Delivery is normally via carrier direct to your dealer. Please check with your dealer for stock availability and arrangement of dispatch. Ensure you or your dealer has sufficient cover for parts requirement outside factory hours.

### Important Note:

The information contained in this manual is correct at the time of publication.

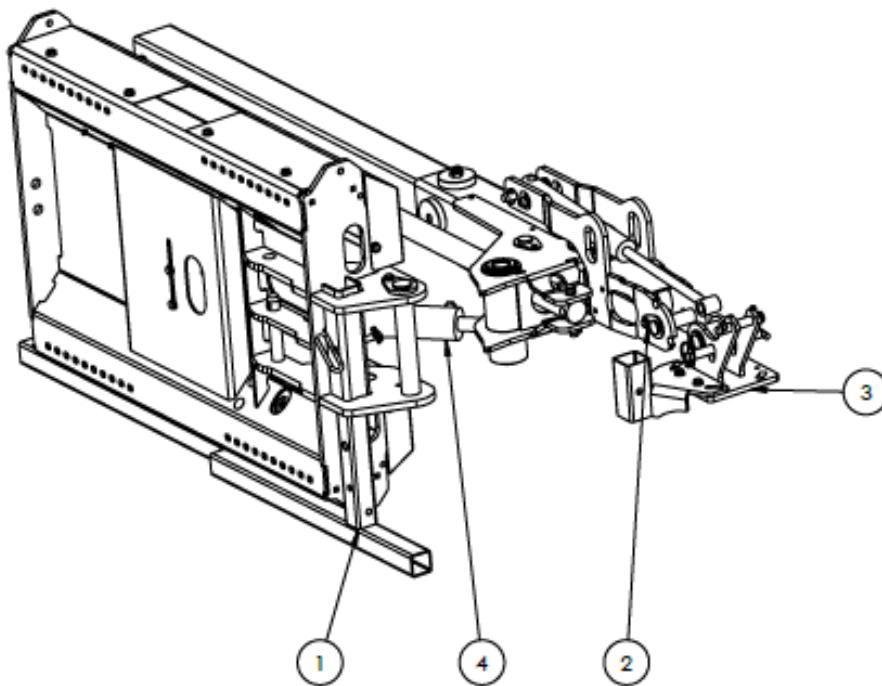
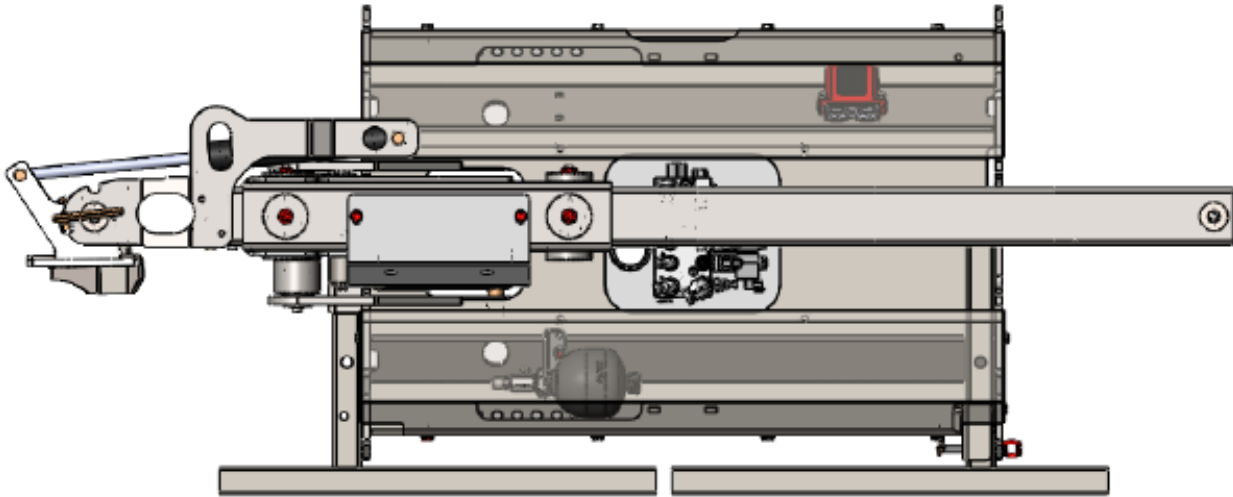
However, in the course of constant development, changes in specification are inevitable. Should you find the information given in this book different to the machine it relates to, please contact the "After Sales Department" for advice.

### Key:

**LH:** Left hand  
**RH:** Right hand

## SPARE PARTS

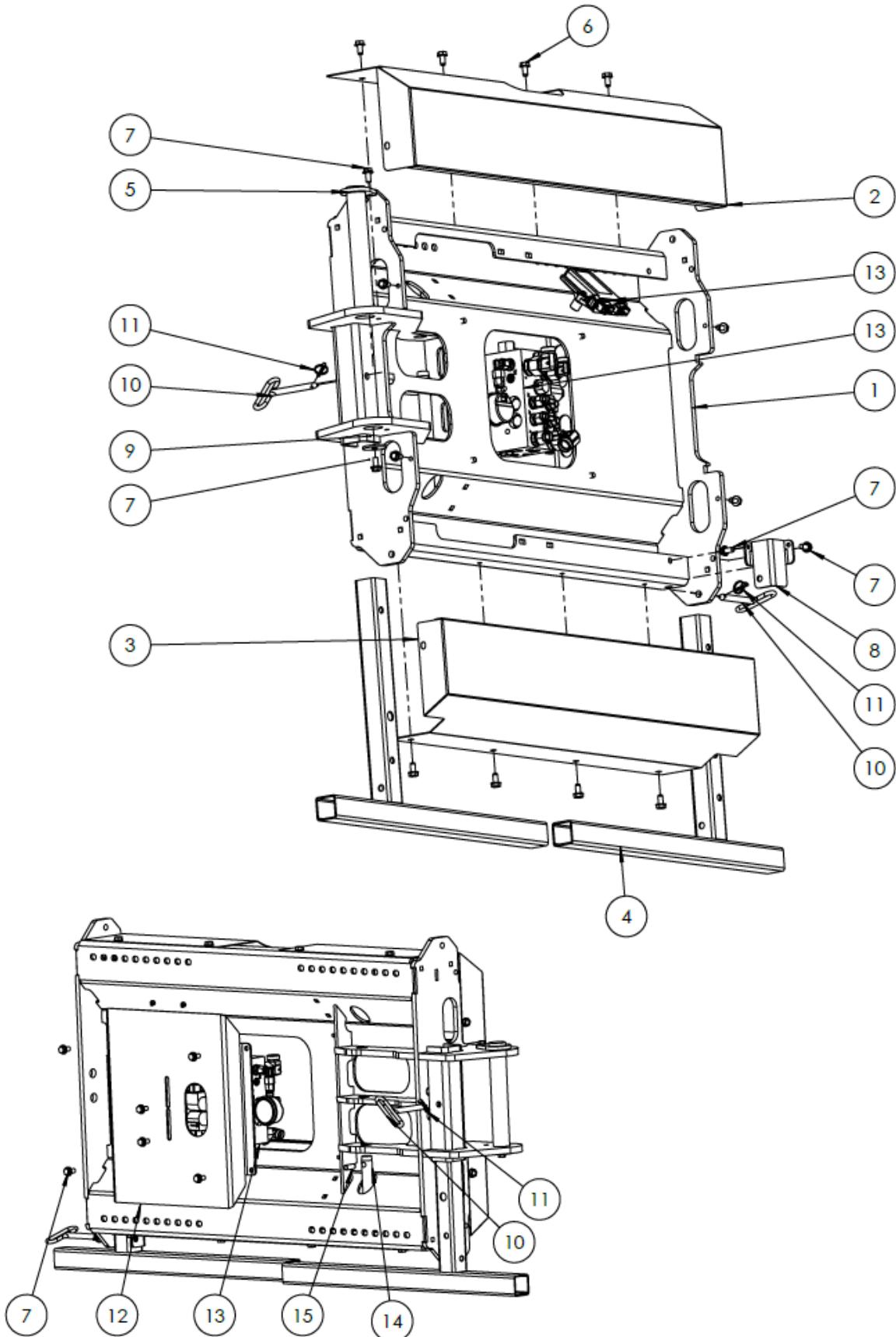
### Puma 3303 Tele cpl.



ITEM NO.	PART NUMBER	DESCRIPTION	QTY.
1	ADGT1390	Main frame cpl.	1
2	ADGT1404	Arm cpl.	1
3	ADGT1409	Head bracket cpl.	1
4	ADGT1394	Break back and accumulator	1

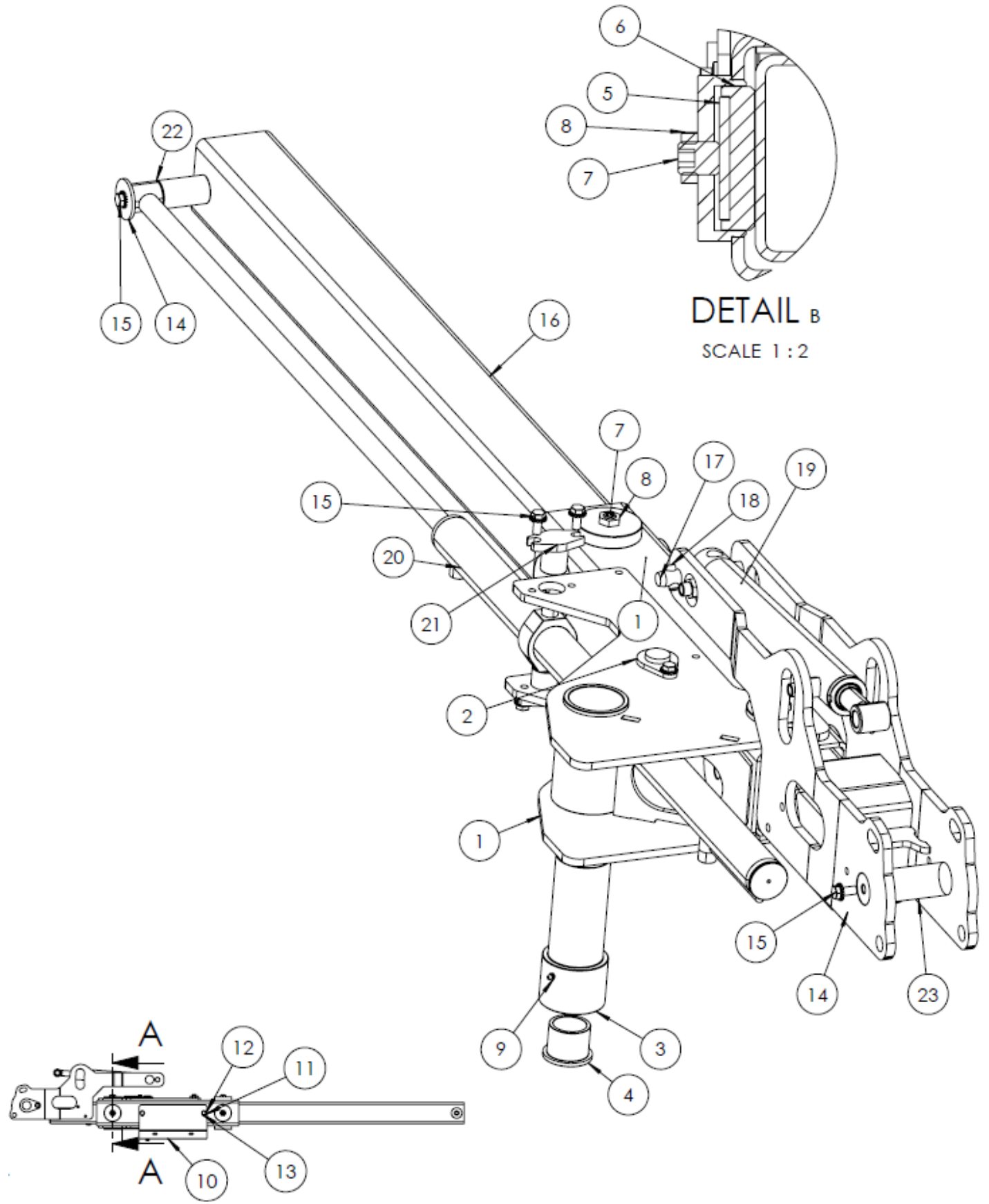


Main frame cpl. Puma 3303 Tele (ADGT1390)



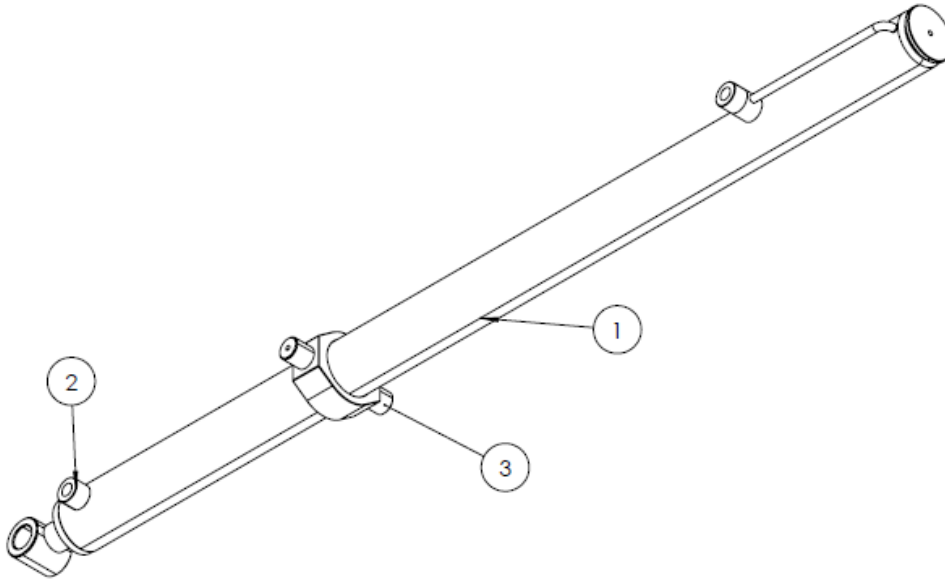
ITEM NO.	PART NUMBER	DESCRIPTION	QTY.
1	6702801	Main frame	1
2	6702802	Cover bottom right model/top left model	1
3	6702803	Cover bottom left model/top right model	1
4	6702727	Supportleg cpl.	2
5	6702724	Pear pin	1
6	8222035	Bolt	12
7	6702626	Flangebolt	10
8	6702726	Bracket f/support leg	1
9	6702699	Washer	1
10	9040072	Bolt with handler	2
11	6706005	Lynch pin	2
12	6702868	Bracket f/valve	1
13	ADGT1396	Valve	1
14	6703079	Top link bolt	1
15	6701549	Dowel pin	1

**Arm cpl. Puma 3303 Tele (ADGT1404)**



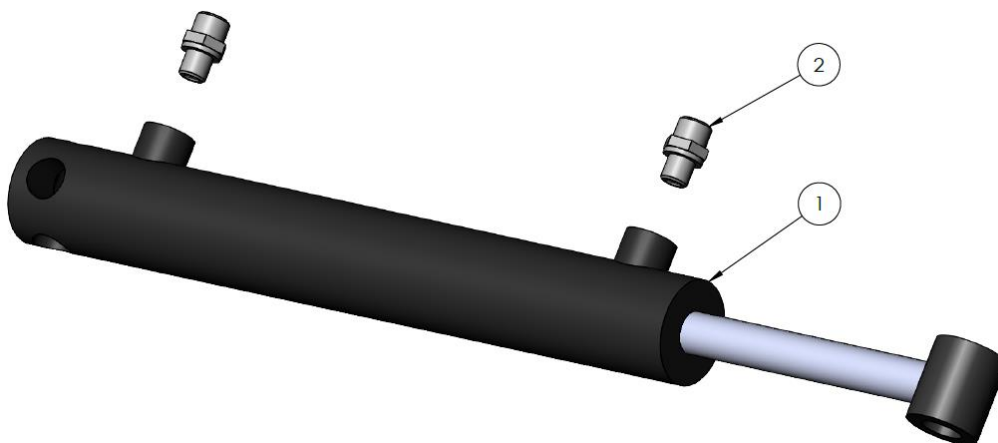
ITEM NO.	PART NUMBER	DESCRIPTION	QTY.
1	6702945	Arm	1
2	6702870	Pear pin	1
3	6702807	Bushing	1
4	8354001	Plast bushing	2
5	6702809	Plate f/wearpads	8
6	6702808	Wearpads	8
7	6702862	Pinol bolt	4
8	6701712	Contra nut	4
9	8222027	Greasenipple	1
10	6702866	Hose cover	1
11	8222024	Washer	4
12	8222003	Washer	4
13	8142002	Bolt	4
14	6702699	Washer	4
15	6702626	Flangebolt	10
16	6702944	Telearm	1
17	6310202A	Top link bolt	1
18	6701549	Dowel pin	1
19	ADGT1354	Cylinder f/kip	1
20	ADGT1480	Cylinder f/telescop	1
21	6703073	Holder f/cylinder	2
22	6702806	Pin	1
23	6702387	Pear pin	1

### Cylinder Puma 3303 Tele telescop (ADGT1480)



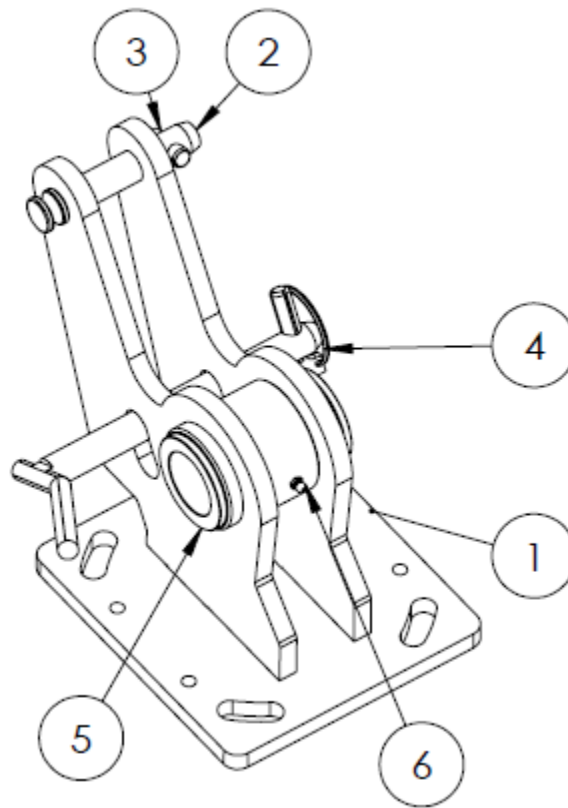
ITEM NO.	PART NUMBER	DESCRIPTION	QTY.
1	6703075	Cylinder f/telescop	1
2	9040118	Nipple	2
3	6703073	Holder f/cylinder	2

### Cylinder Puma 3303 Tele (ADGT1354)



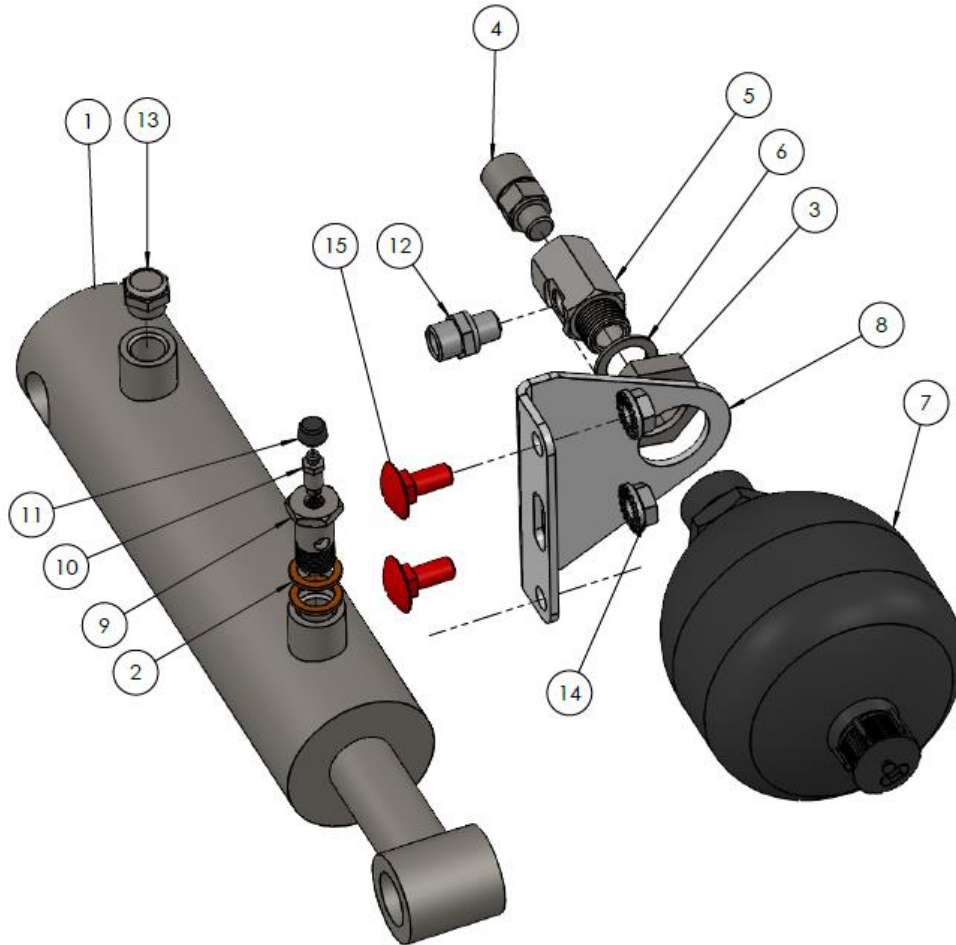
TEM NO.	PART NUMBER	DESCRIPTION	QTY.
1	8283007	Cylinder	1
2	9040147	Nipple	2

## Head bracket cpl. Puma 3303 Tele (ADGT1409)



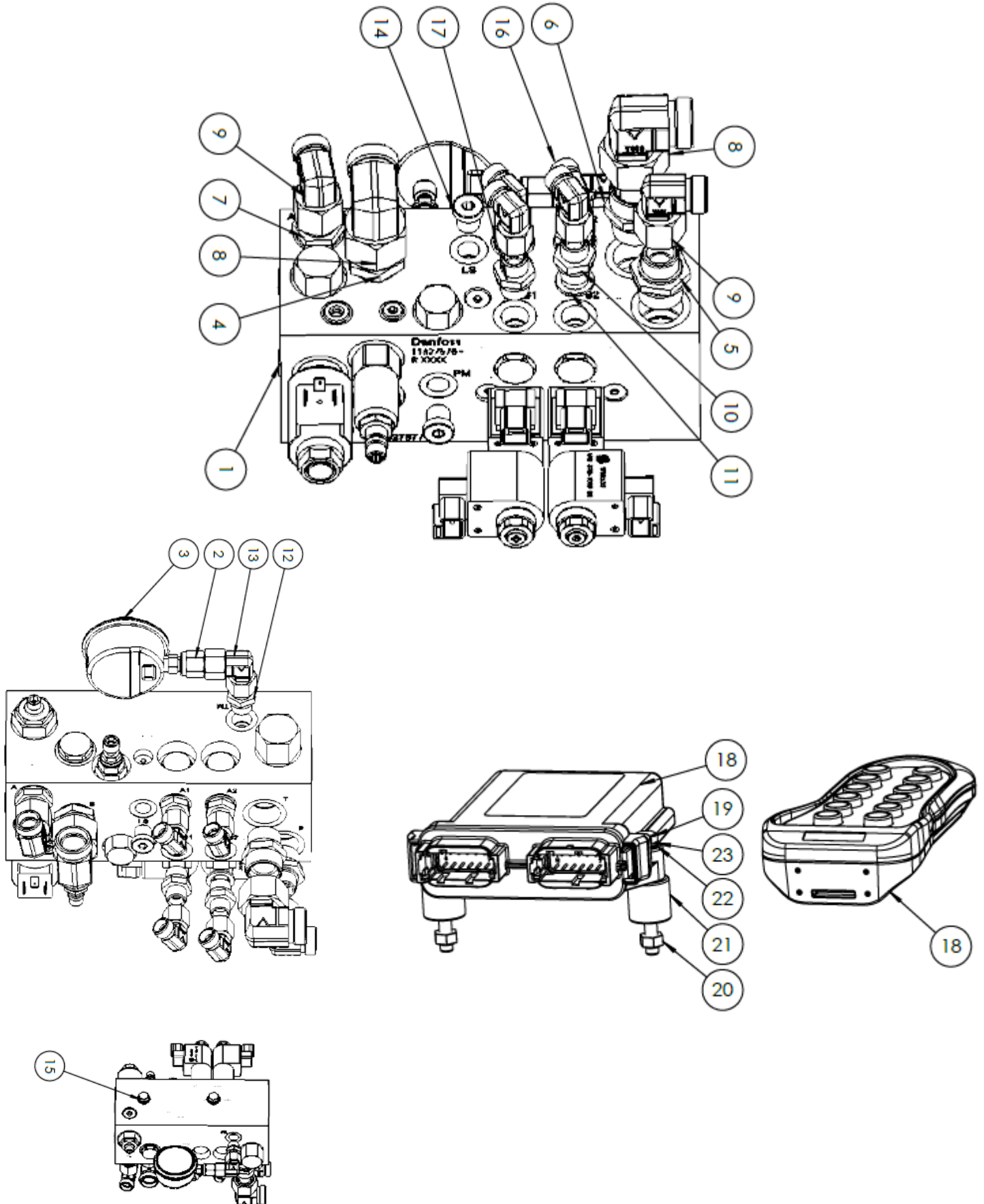
ITEM NO.	PART NUMBER	DESCRIPTION	QTY.
1	6702380	Head crowd bracket	1
2	6310202	Top link bolt	1
3	6701549	Dowel pin	1
4	8290051	Liftbolt	1
5	8354001	Plast bushing	2
6	8222027	Greasnipple	1

### Break back cpl. Puma 3303 Tele (ADGT1394)



ITEM NO.	PART NUMBER	DESCRIPTION	QTY.
1	8283017	Cylinder	1
2	6703003	Seals	2
3	6702005	Contranut	1
4	6703007	Mini-mesh	1
5	8290022	Nipple	1
6	6703010	Seal	1
7	6703005	Accumulator	1
8	6702389	Bracket f/accumulator	1
9	8290024	Banjobolt	1
10	8290023	Breather	1
11	8290025	Cover for breather	1
12	9040118	Nipple	1
13	6703013	Filter plug	1
14	6702398	Flangenut	2
15	8222022	Bolt	2

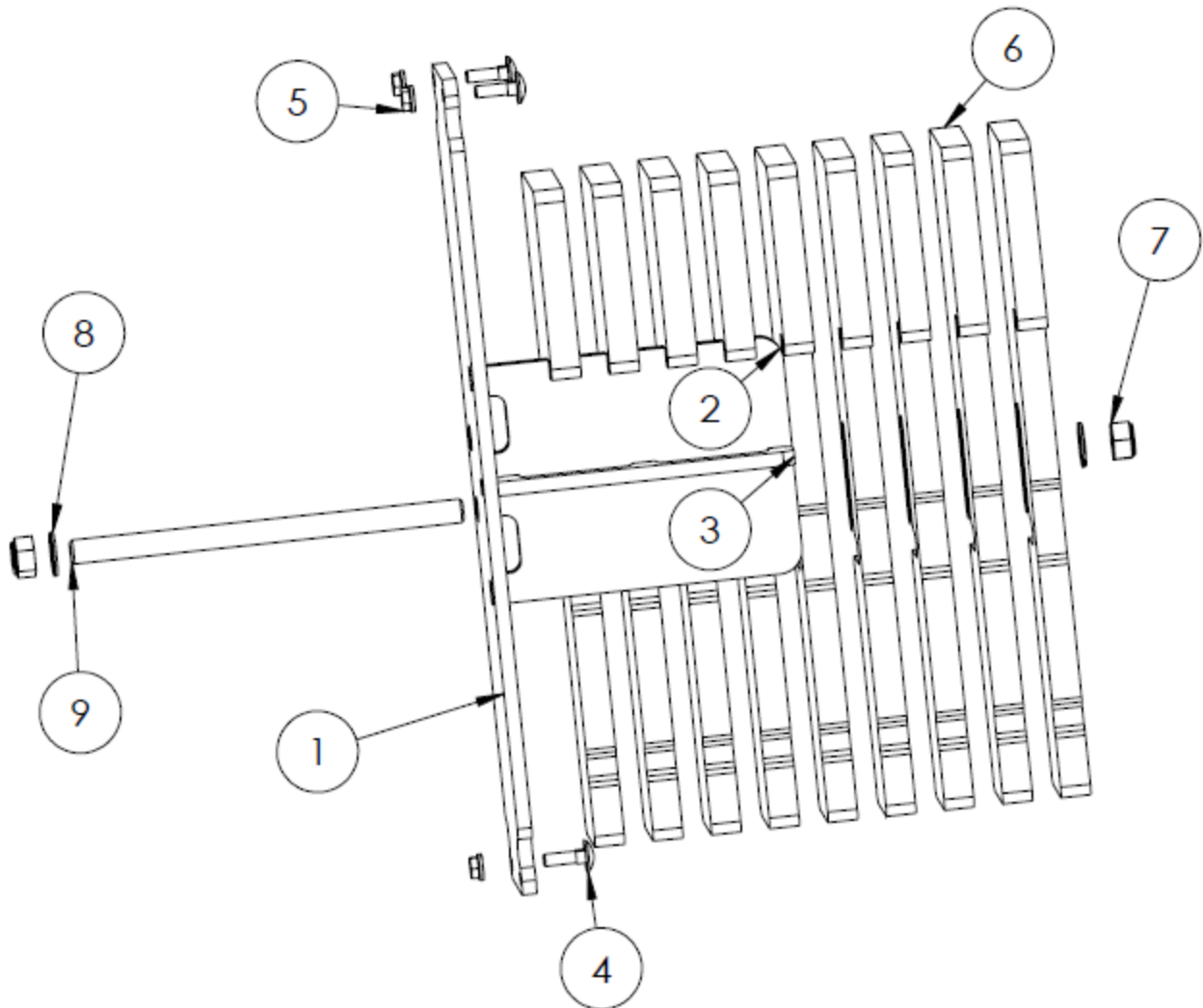
**Valve cpl. Puma 3303 Tele (ADGT1396)**





ITEM NO.	PART NUMBER	DESCRIPTION	QTY.
1	6703078	Valve	1
2	6702993	Manometer nipple	1
3	6702557	Manometer	1
4	9020308	Nipple	1
5	6702240	Nipple	1
6	9020111	Nipple	1
7	9040116	Nipple	1
8	9040194	Nipple	2
9	6702095	Nipple	2
10	9040147	Nipple	2
11	6703003	Bounded seals	2
12	9040117	Nipple	1
13	6701950	Nipple	1
14	81823025	Plug	2
15	6702626	Flangebolt	2
16	6701949	Nipple	4
17	9040120	Nipple	2
18	6702086	Remote control and controller	1
19	9040206	Bolt	2
20	8752002	Lock nut	2
21	6702756	Vibration absorber	2
22	8482004	Washer	2
23	6702007	Washer	2
NS	6702815	Cable tree	1
NS		AAA alkaline batteries	4

**Counterweight Puma 3303 Tele 103kg OPTE4294 (option)**



ITEM NO.	PART NUMBER	DESCRIPTION	QTY.
1	6702729.1	Plate f/counterweight	1
2	6702729.2	Mountplate	1
3	6702729.3	Supportplate	1
4	6702800	Bolt	3
5	6702398	Flangebolt	3
6	8351010	Counterweight	9
7	9040182	Lock nut	2
8	9040183	Washer	2
9	6702799	Threaded rod	1

## Stickers

### PUMA 3303 TELE

PUMA 3303 130 628



KORREKTUR



### PUMA 3303 TELE

PUMA 3303 130 628



KORREKTUR



NO.	PART NUMBER	DESCRIPTION	QTY.
1	6703059	Stickers kits Puma 3303 Tele Right	1
2	6703059.1	Stickers kits Puma 3303 Tele Left	1



Merkurvej 25 | DK-6000 Kolding | Tel.: +45 75 55 36 44 | [info@GreenTec.eu](mailto:info@GreenTec.eu) | [www.GreenTec.eu](http://www.GreenTec.eu)

*Cutting Edge Technology*