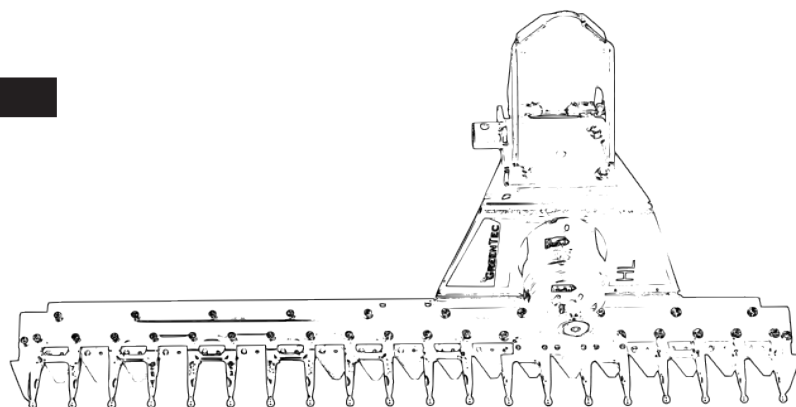
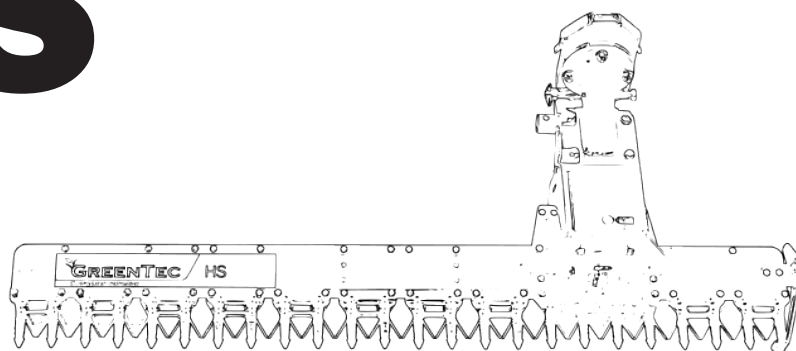


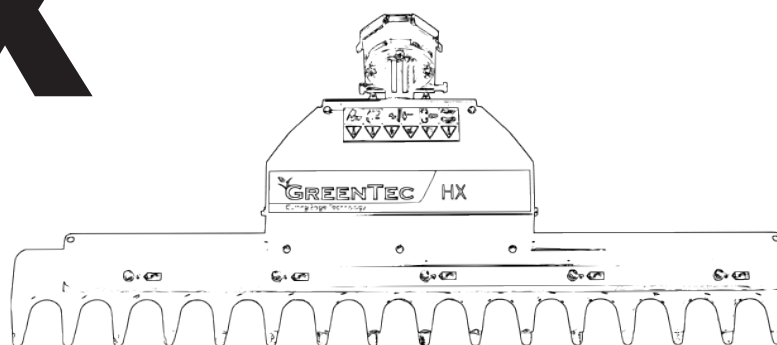
# HL



# HS



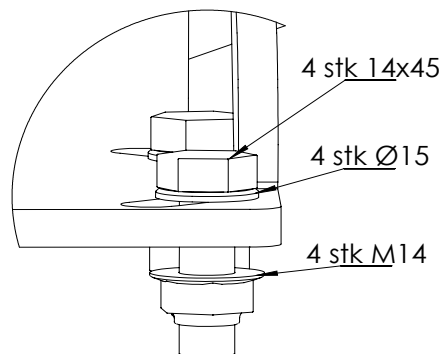
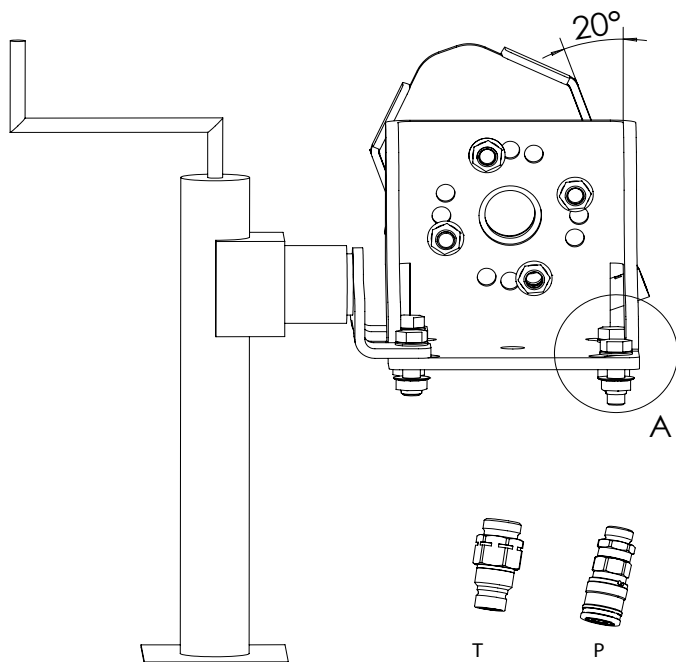
# HX



# GREENTEC

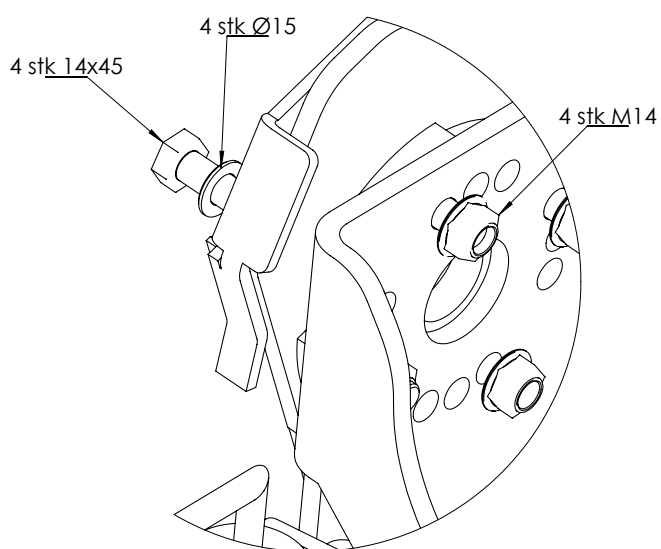
# HL 152, 182, 212, 242

1

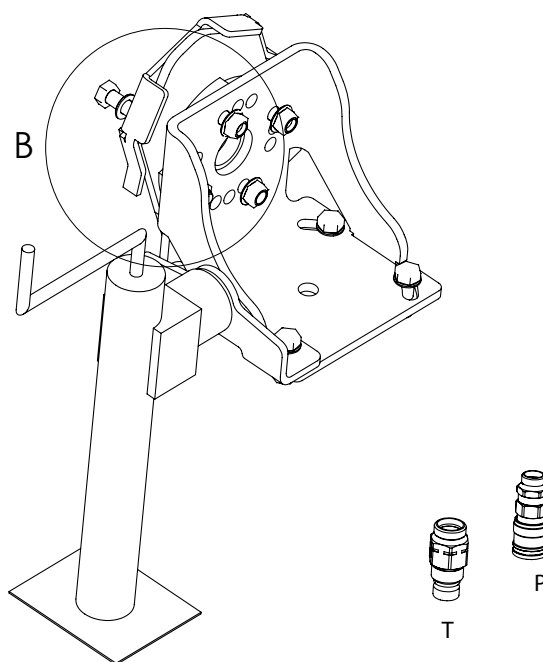


DETAIL A

2

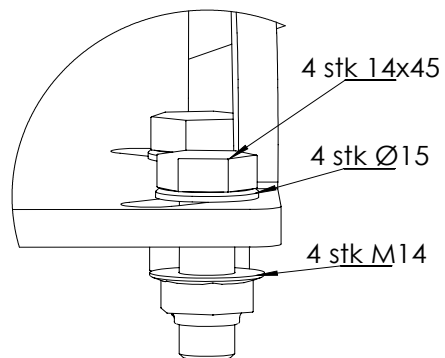
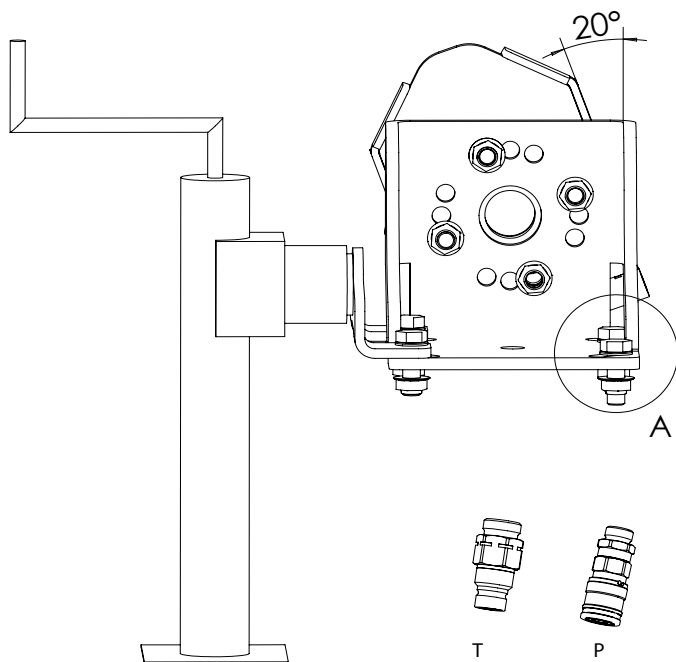


DETAIL B



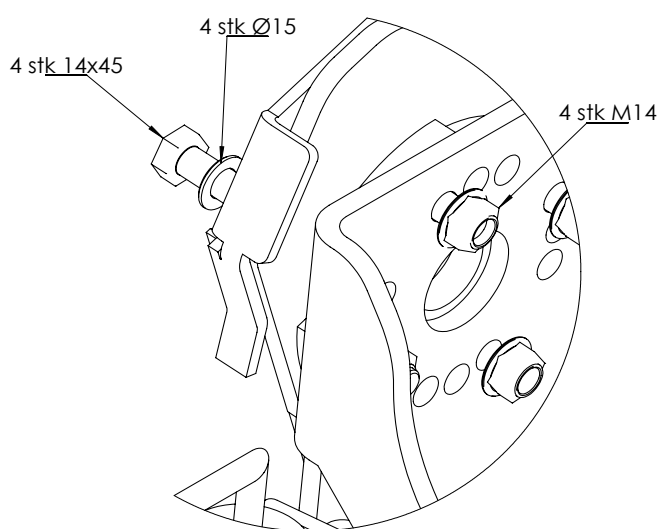
# HS 172

1

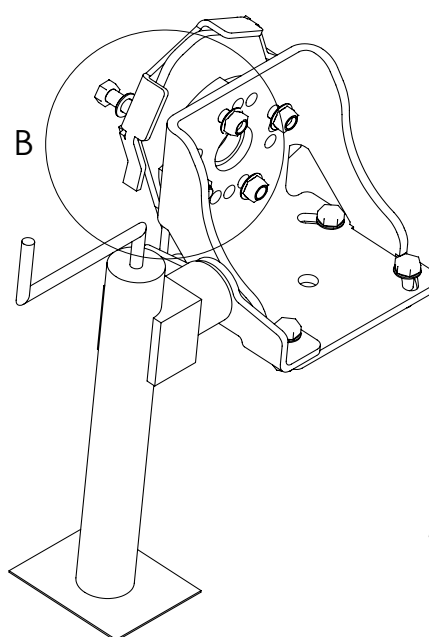


DETAIL A

2



DETAIL B



# HS 212, 242

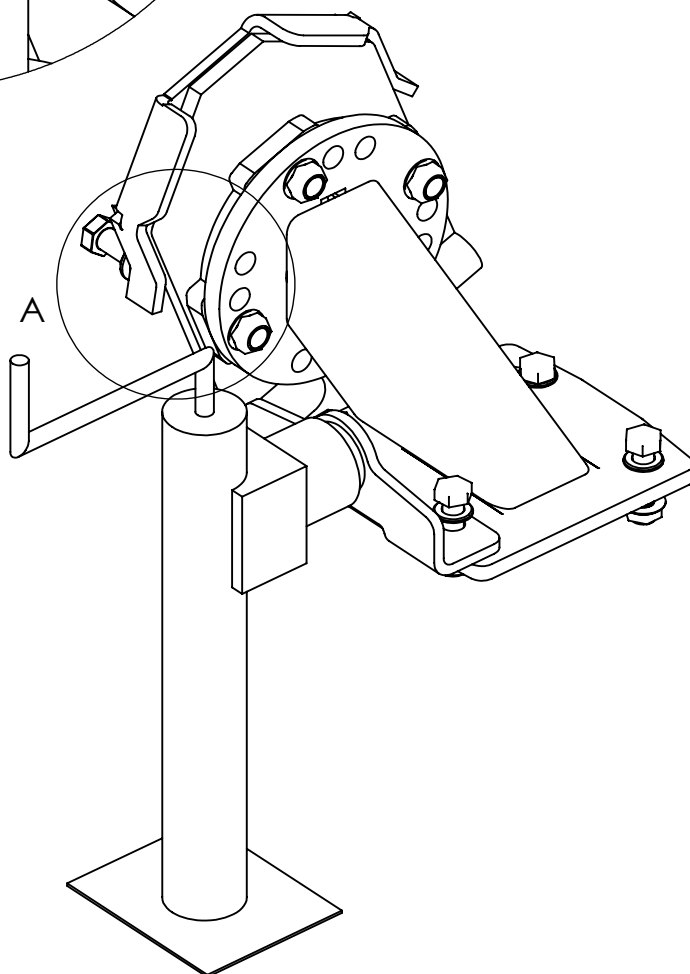
1

4 stk 16x55

4 stk Ø17

4 stk M16

DETAIL A



T



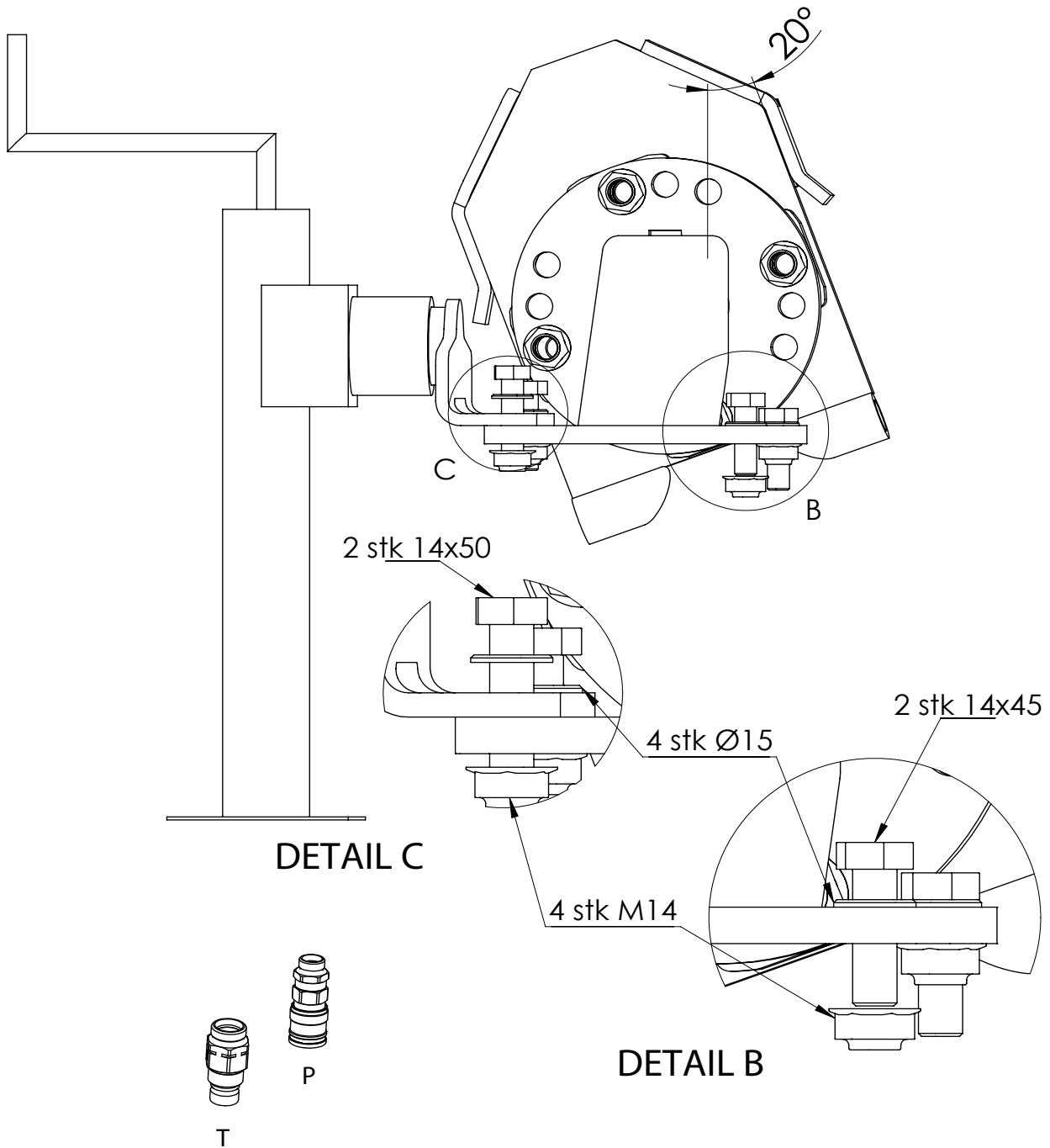
P

3



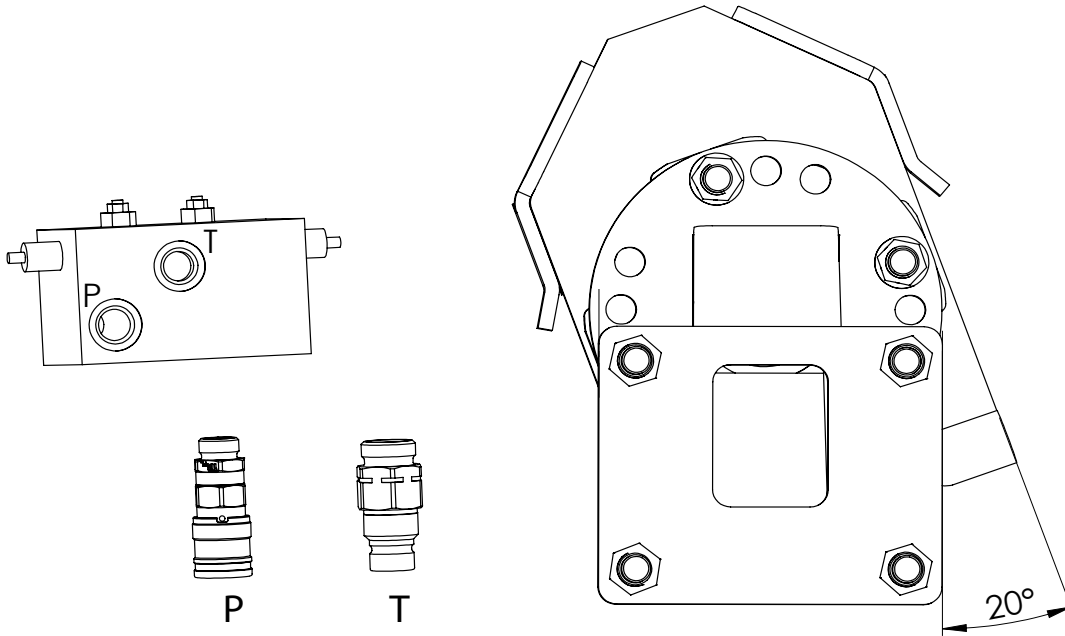
# HS 212, 242

2

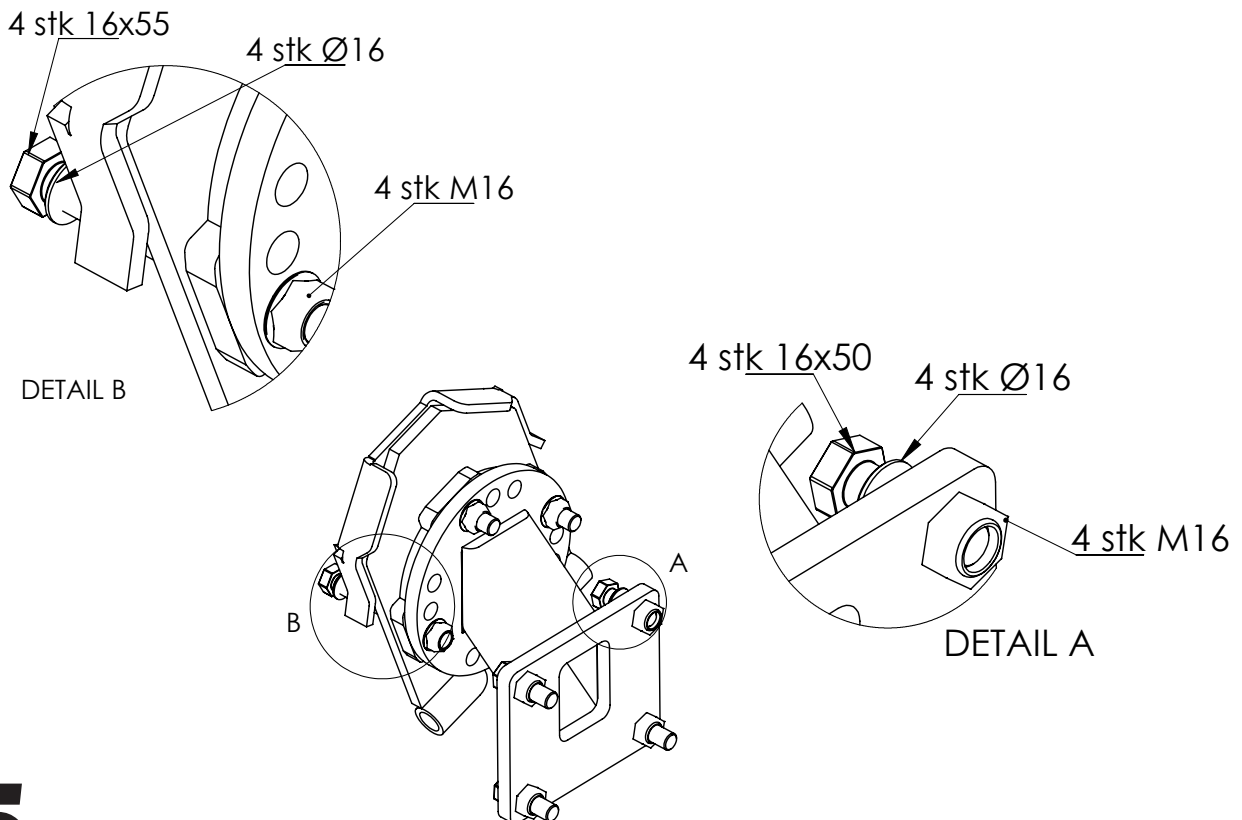


# HX 170, 230, 270 (SCORPION)

1

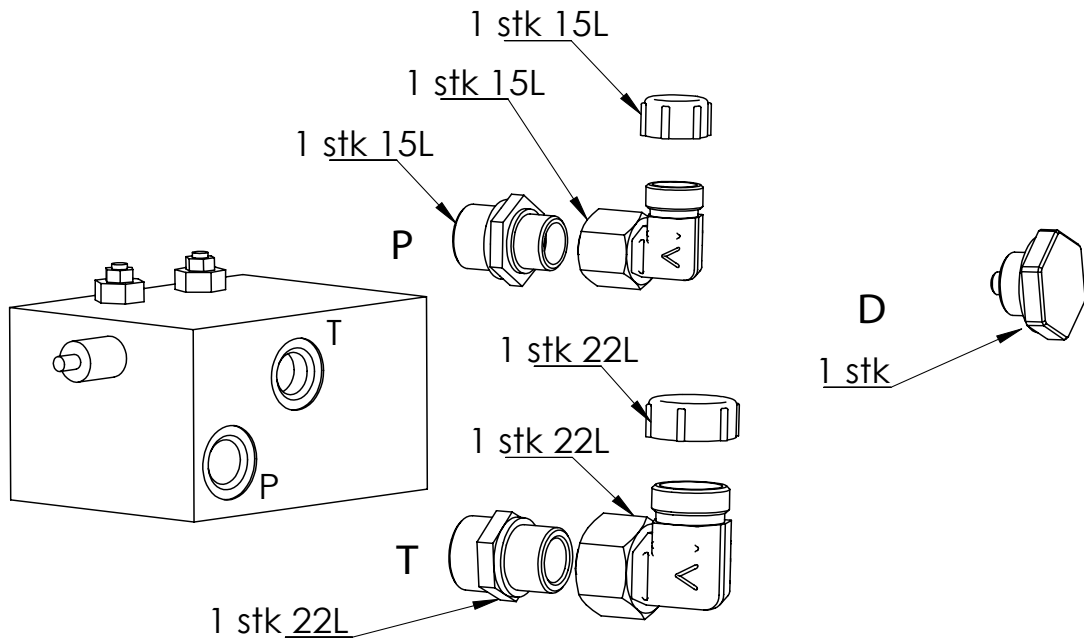


2

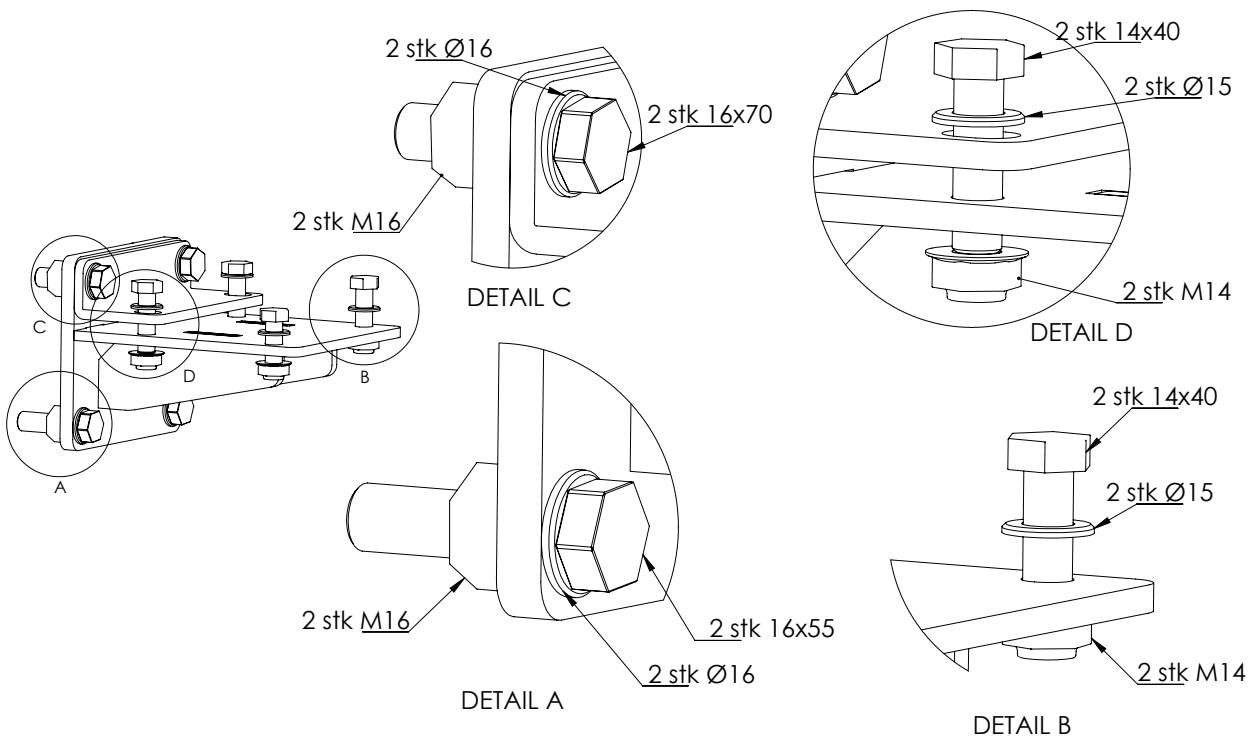


# HX 170, 230, 270 (PUMA)

1



2



**GREENTEC**